

INVENTEC

PRELIMINARY TEST

07A99

Pre-MP BUILD

2007 12 20

INVENTEC			
TITLE			
07A99 Preliminary Test			
SIZE	CODE	DOC. NUMBER	REV
A3	CS		X01
SHEET		1 OF	63

CHANGE by **KOBE** 23-Jan-2008

8

TABLE OF CONTENTS

PAGE

PAGE

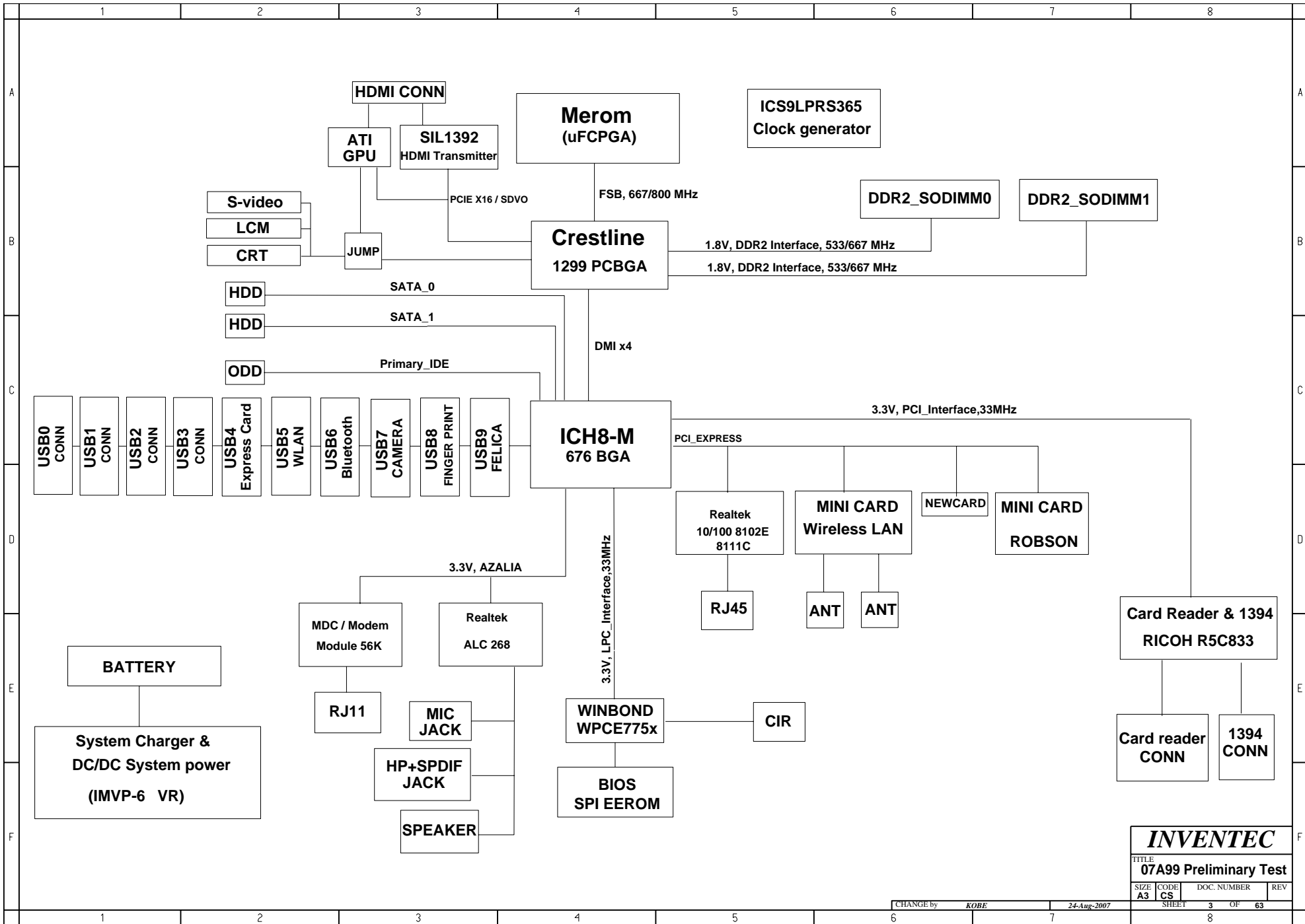
PAGE

- 1.COVER PAGE
- 2.INDEX
- 3.BLOCK DIAGRAM
- 4.POWER SEQUENCE BLOCK
- 5-12.SYSTEM POWER
- 13.CLOCK GENERATOR
- 14.CPU Merom1
- 15.CPU Merom2
- 16.CPU Merom3
- 17.CPU Merom4
- 18.FAN & THERMAL CONTROLLER
- 19.N/B Crestline 1
- 20.N/B Crestline 2
- 21.N/B Crestline 3
- 22.N/B Crestline 4
- 23.N/B Crestline 5
- 24.N/B Crestline 6
- 25.N/B Crestline 7
- 26.DDR2 DIMM0
- 27.DDR2 DIMM1
- 28.DDR DAMPING
- 29.CIR
- 30.CRT CONN
- 31.S-VIDEO CONN
- 32.LCM CONN

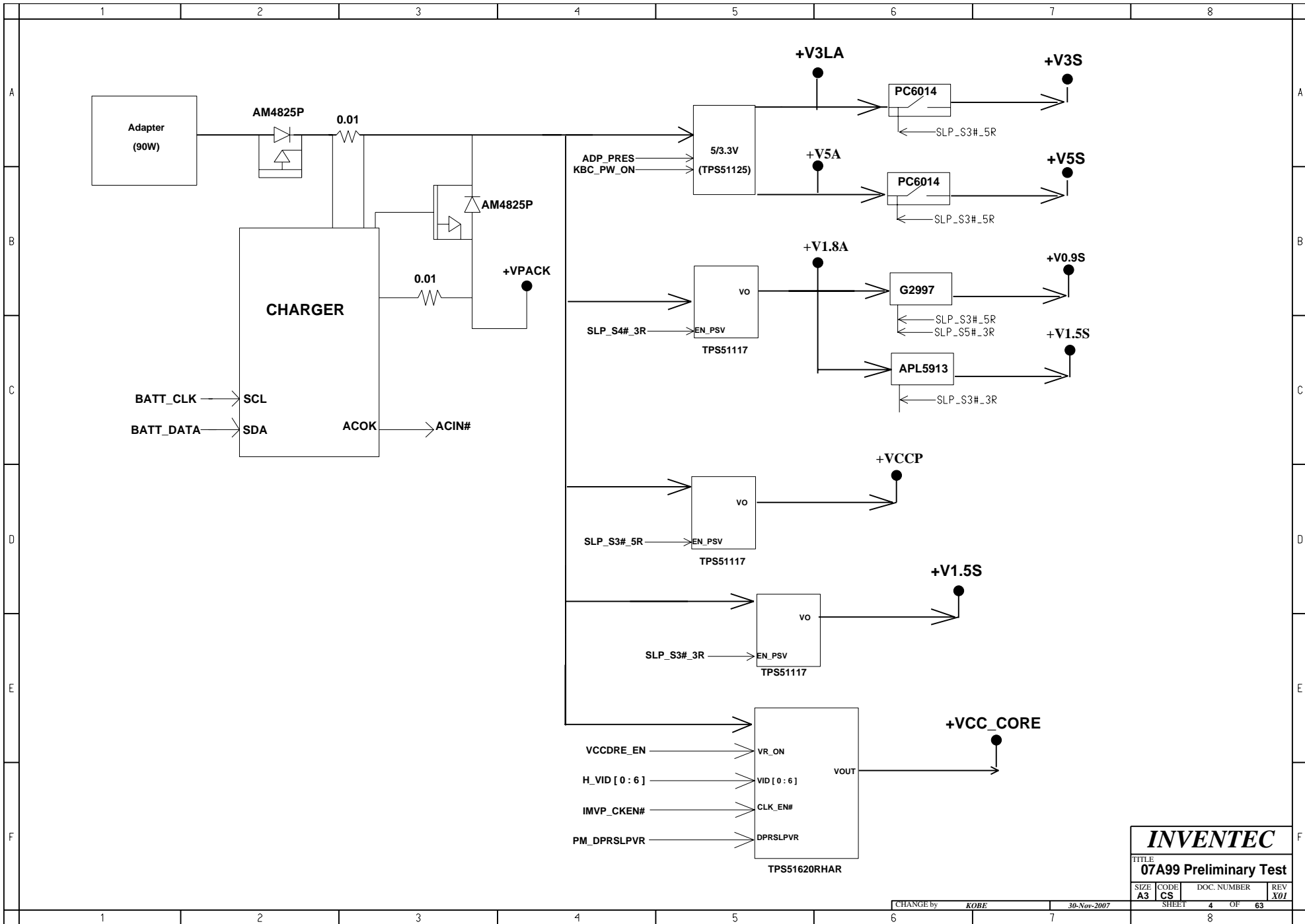
- 33. HDMI TRANSMITTER
- 34.HDMI CONN & CEC
- 35.S/B ICH8 1
- 36.S/B ICH8 2
- 37.S/B ICH8 3
- 38.S/B ICH8 4
- 39.S/B ICH8 5
- 40.SATA CONN
- 41.USB CONN
- 42.Felica & Camera CONN
- 43.Bluetooth CONN
- 44.EC
- 45.K/B & TP/B CONN
- 46.AZALIA CODEC
- 47.AUDIO AMP
- 48.Audio JACKs
- 49.LAN Controller
- 50.RJ45 & Transformer
- 51.ODD CONN
- 52.1394/Cardreader Controller
- 53.5 in 1 & 1394 CONN
- 54.Express Card CONN
- 55.ROBSON & WLAN
- 56.Broadcom Accelerator
- 57.MDC 1.5 CONN

- 58.LED(M/B) & HOTKEY/B CONN
- 59.Pick Button & Fingerprint Board
- 60.KILL SWITCH& HALL SENSOR
- 61.SCREW & EMI CAP
- 62.FM TUNER BOARD
- 63.FINGER PRINT BOARD

INVENTEC			
<small>TITLE</small> 07A99 Preliminary Test			
<small>SIZE</small> A3	<small>CODE</small> CS	<small>DOC. NUMBER</small> 2 OF 63	<small>REV</small> X01
<small>SHEET</small>			

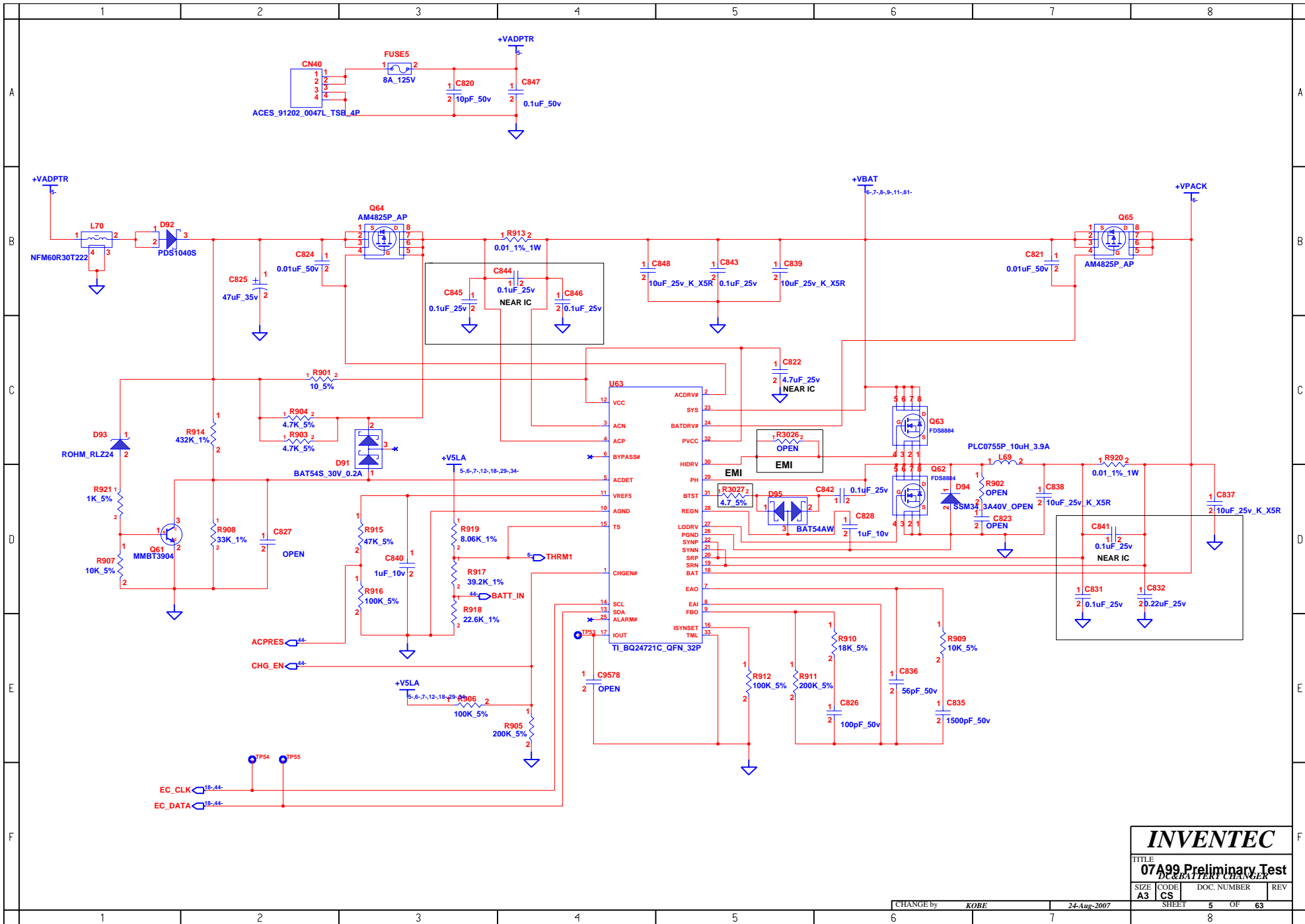


INVENTEC			
TITLE			
07A99 Preliminary Test			
SIZE	CODE	DOC. NUMBER	REV
A3	CS	3	OF 63
CHANGE by		24-Aug-2007	
ROBE		SHEET 8	



INVENTEC			
TITLE			
07A99 Preliminary Test			
SIZE	CODE	DOC. NUMBER	REV
A3	CS	SHEET 4 OF 63	X01

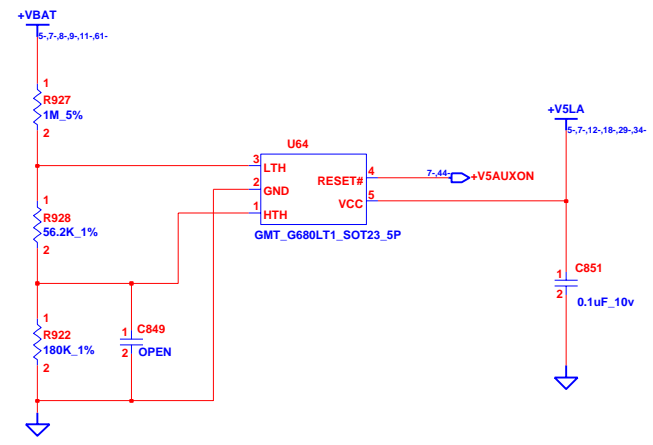
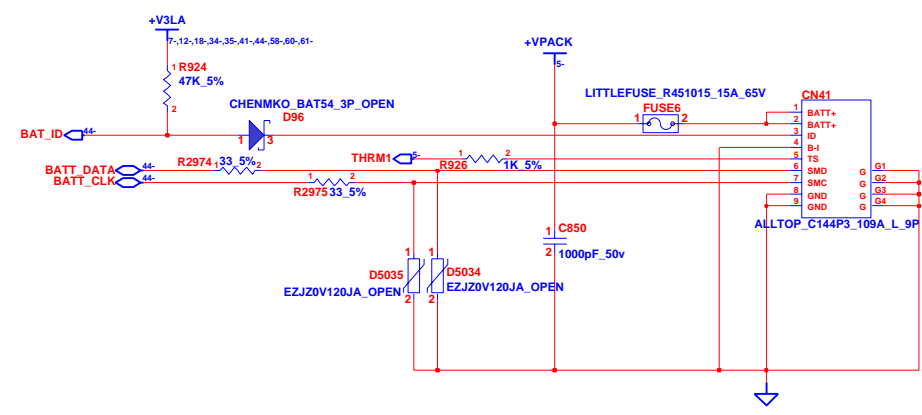
CHANGE by *KOBE* 30-Nov-2007



INVENTEC
 TITLE
07A99 Preliminary Test
 DC & BATTERY CHARGER

SIZE A3	CODE CS	DOC. NUMBER	REV
------------	------------	-------------	-----

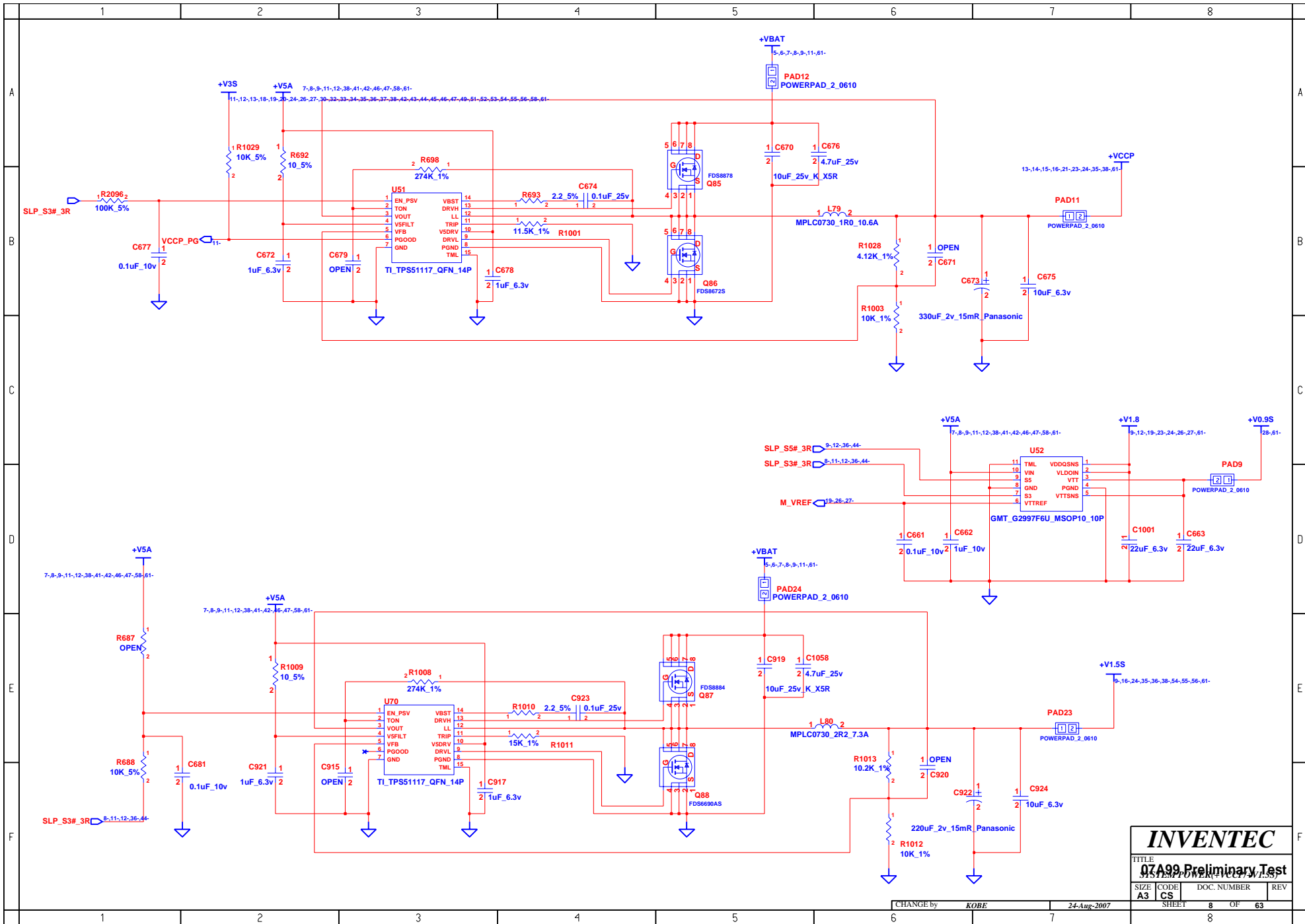
CHANGE by **KOBE** 24-Aug-2007 SHEET 5 OF 63



INVENTEC

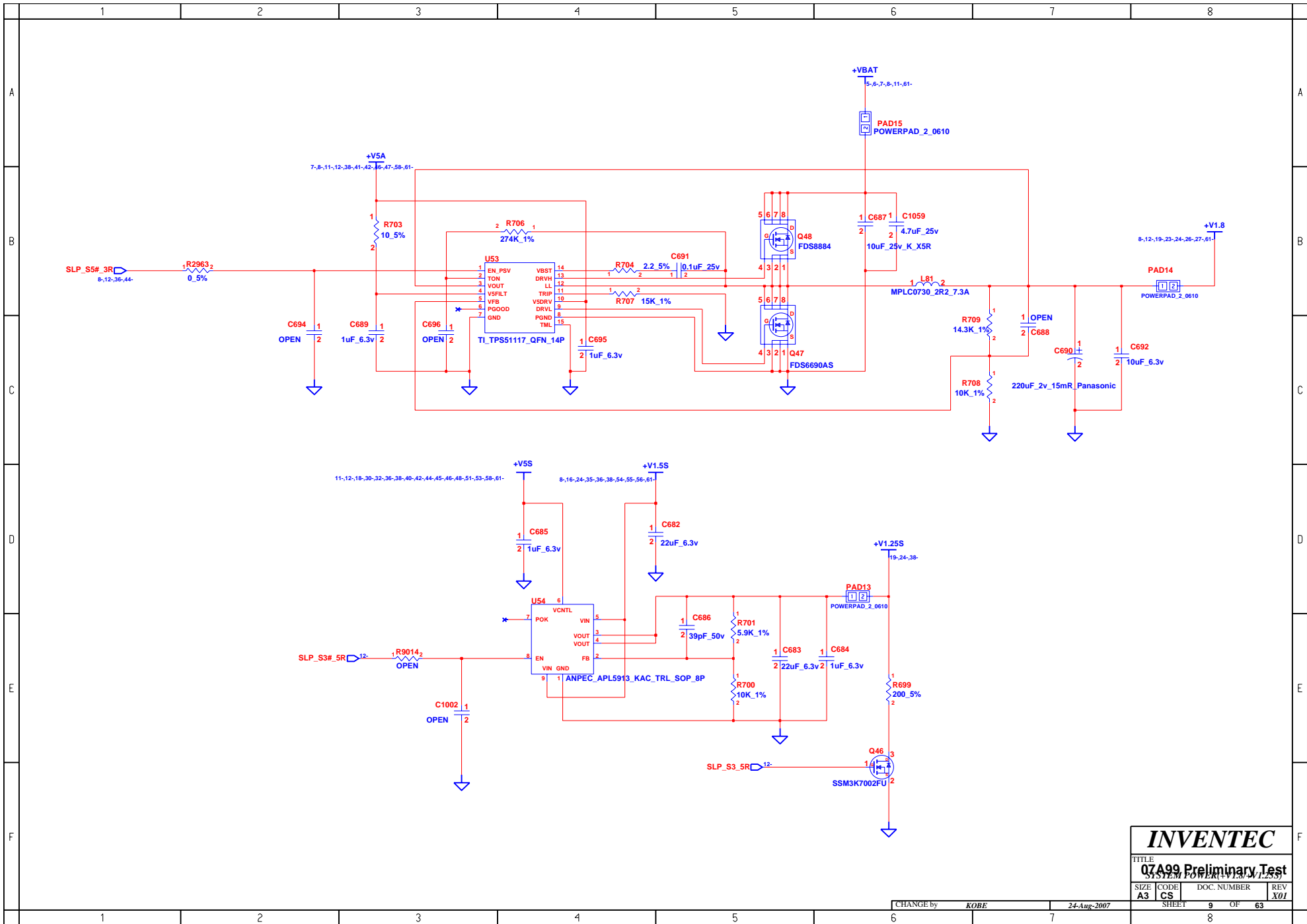
TITLE
07A99 Preliminary Test
 BATTERY CONN

SIZE A3	CODE CS	DOC. NUMBER	REV
------------	------------	-------------	-----



INVENTEC
 TITLE: 07A99 Preliminary Test
 SIZE: A3 CODE: CS DOC. NUMBER: SHEET 8 OF 63 REV: 1

CHANGE by: ROBE 24-Aug-2007



INVENTEC

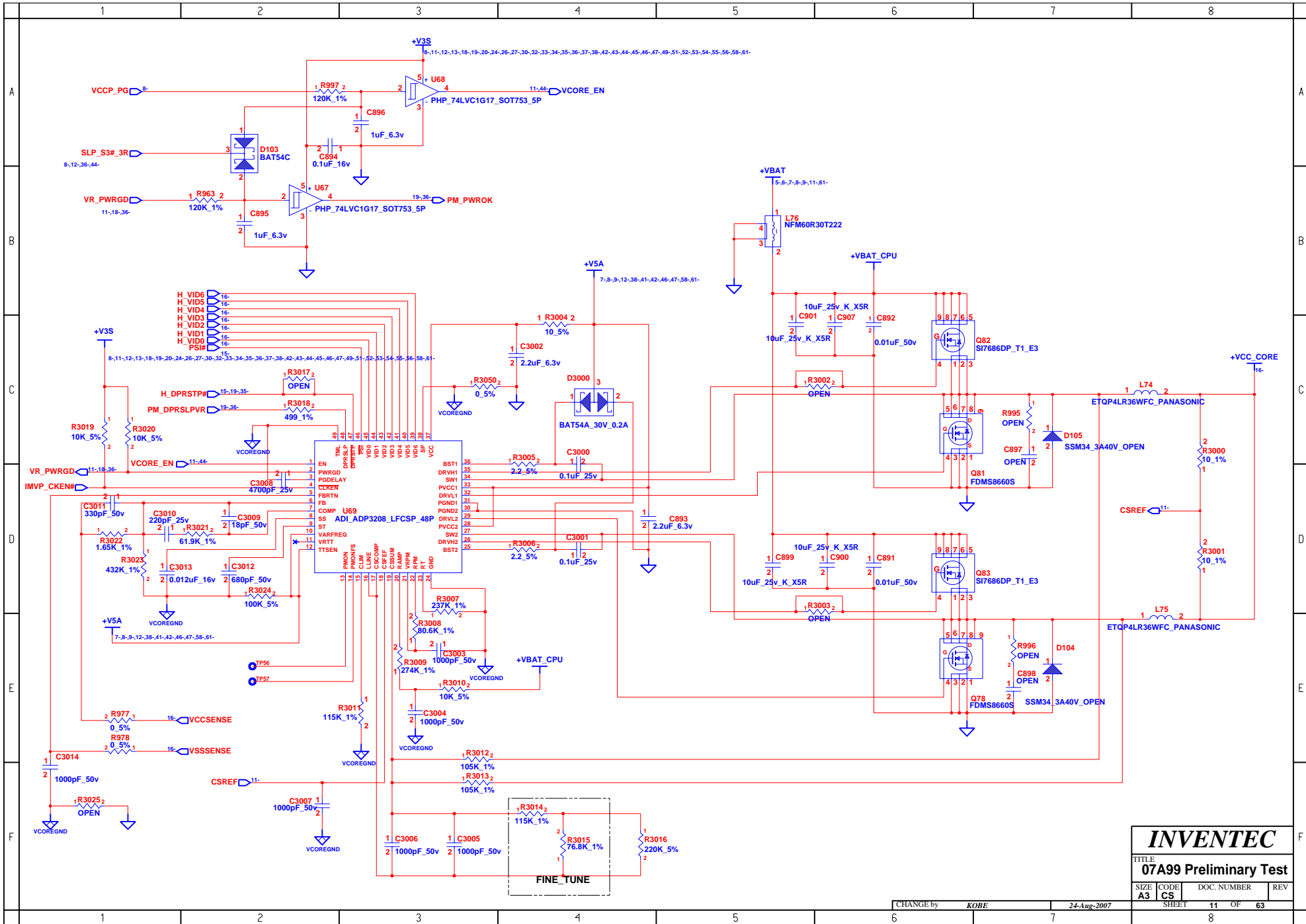
TITLE			
07A99 Preliminary Test			
SIZE	CODE	DOC. NUMBER	REV
A3	CS		X01

BLANK

INVENTEC			
TITLE			
07A99 Preliminary Test			
SIZE	CODE	DOC. NUMBER	REV
A3	CS	10 OF 63	X01

CHANGE by **KOBE** 30-Nov-2007

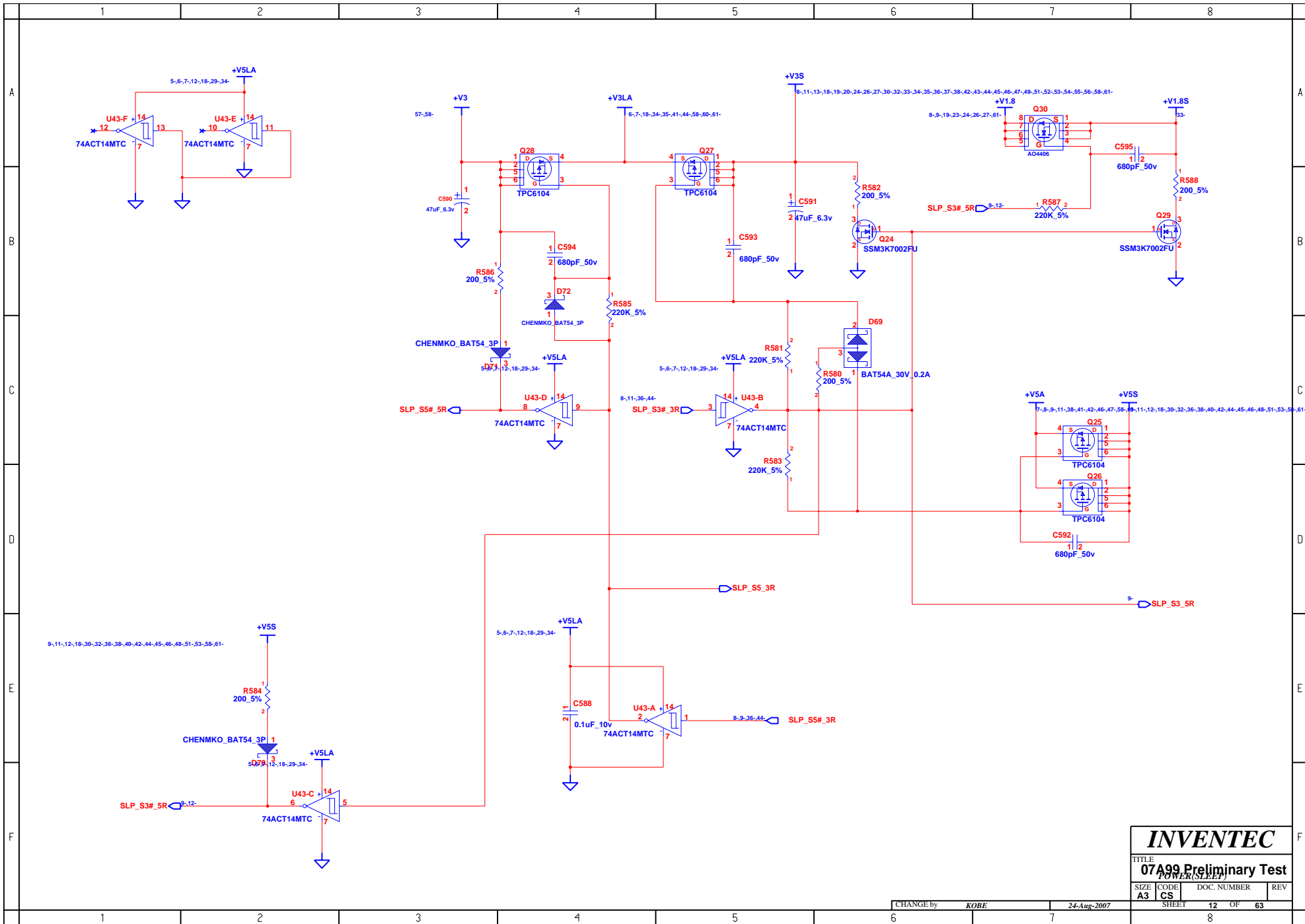
SHEET 10 OF 63



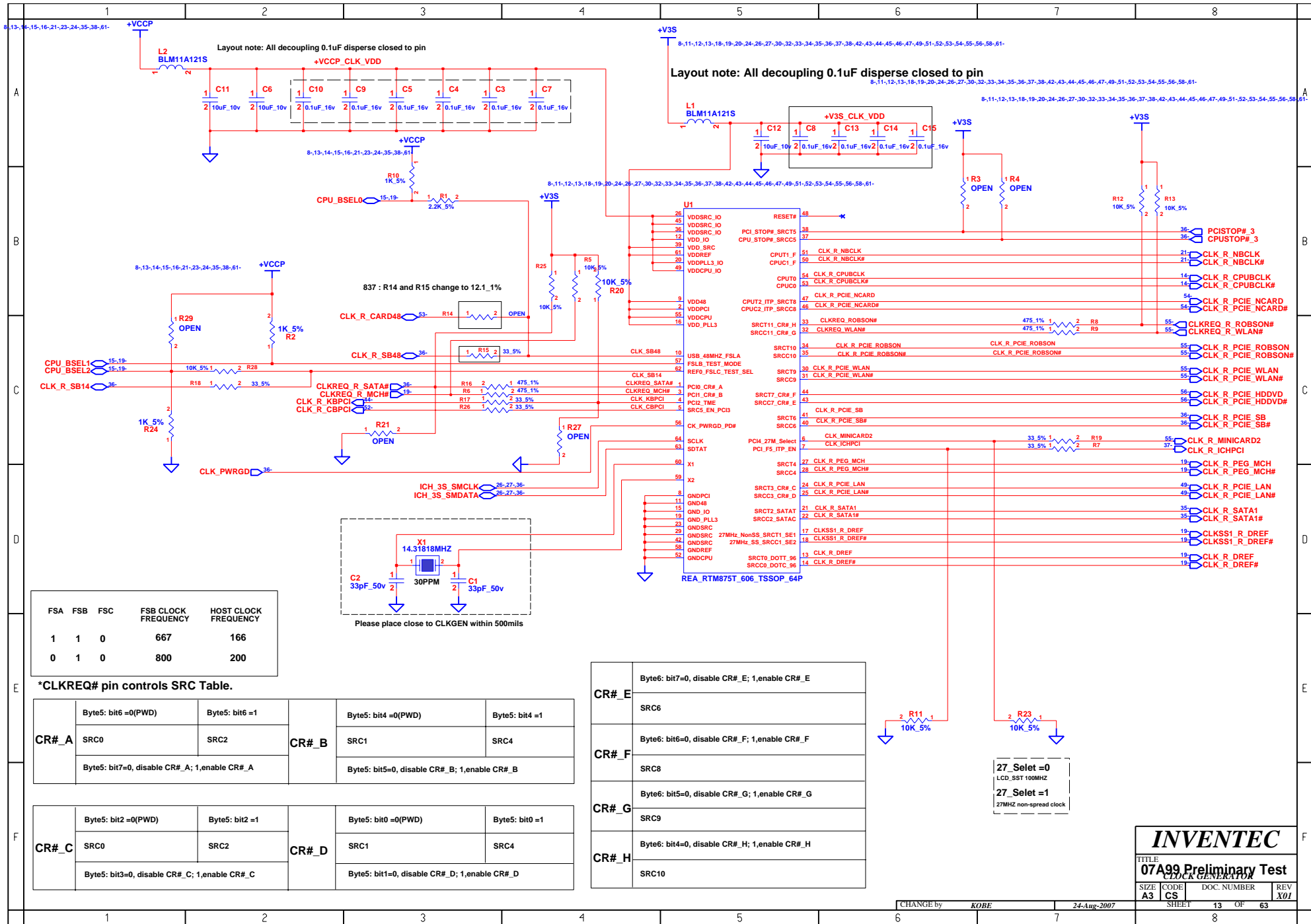
INVENTEC

TITLE
07A99 Preliminary Test

SIZE	CODE	DOC. NUMBER	REV
A3	CS		



INVENTEC			
TITLE			
07A99 Preliminary Test			
POWER(SLEEP)			
SIZE	CODE	DOC. NUMBER	REV
A3	CS		



FSA	FSB	FSC	FSB CLOCK FREQUENCY	HOST CLOCK FREQUENCY
1	1	0	667	166
0	1	0	800	200

*CLKREQ# pin controls SRC Table.

CR#_A	Byte5: bit6 =0(PWD)		CR#_B	Byte5: bit4 =0(PWD)	
	SRC0	SRC2		SRC1	SRC4
Byte5: bit7=0, disable CR#_A; 1,enable CR#_A		Byte5: bit5=0, disable CR#_B; 1,enable CR#_B			
CR#_C	Byte5: bit2 =0(PWD)		CR#_D	Byte5: bit0 =0(PWD)	
	SRC0	SRC2		SRC1	SRC4
Byte5: bit3=0, disable CR#_C; 1,enable CR#_C		Byte5: bit1=0, disable CR#_D; 1,enable CR#_D			

CR#_E	Byte6: bit7=0, disable CR#_E; 1,enable CR#_E
SRC6	
CR#_F	Byte6: bit6=0, disable CR#_F; 1,enable CR#_F
SRC8	
CR#_G	Byte6: bit5=0, disable CR#_G; 1,enable CR#_G
SRC9	
CR#_H	Byte6: bit4=0, disable CR#_H; 1,enable CR#_H
SRC10	

27_Selet =0
LCD_SST 100MHZ
27_Selet =1
27MHZ non-spread clock

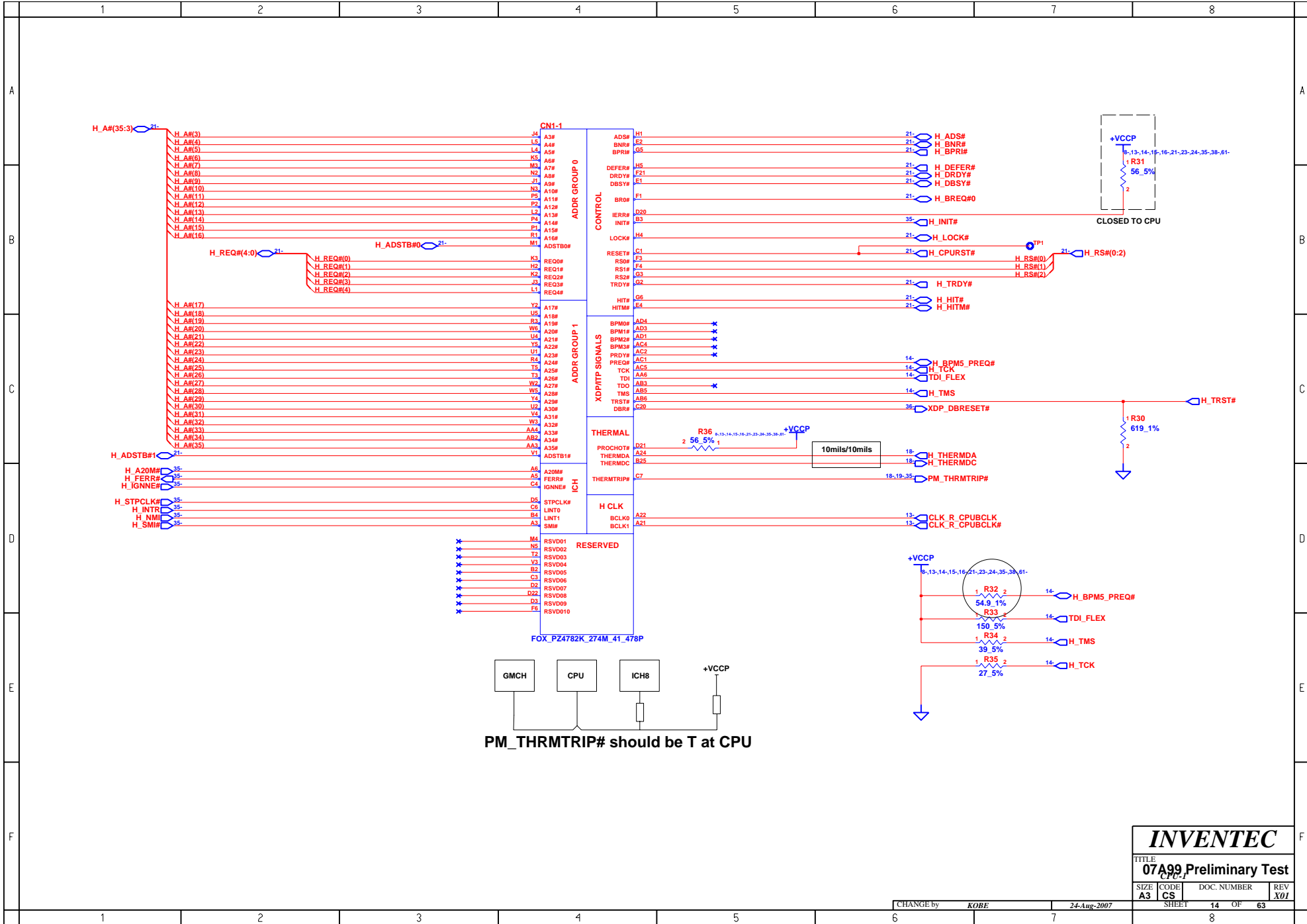
INVENTEC

TITLE
07A99 Preliminary Test
CLOCK GENERATOR

SIZE A3	CODE CS	DOC. NUMBER	REV X01
------------	------------	-------------	------------

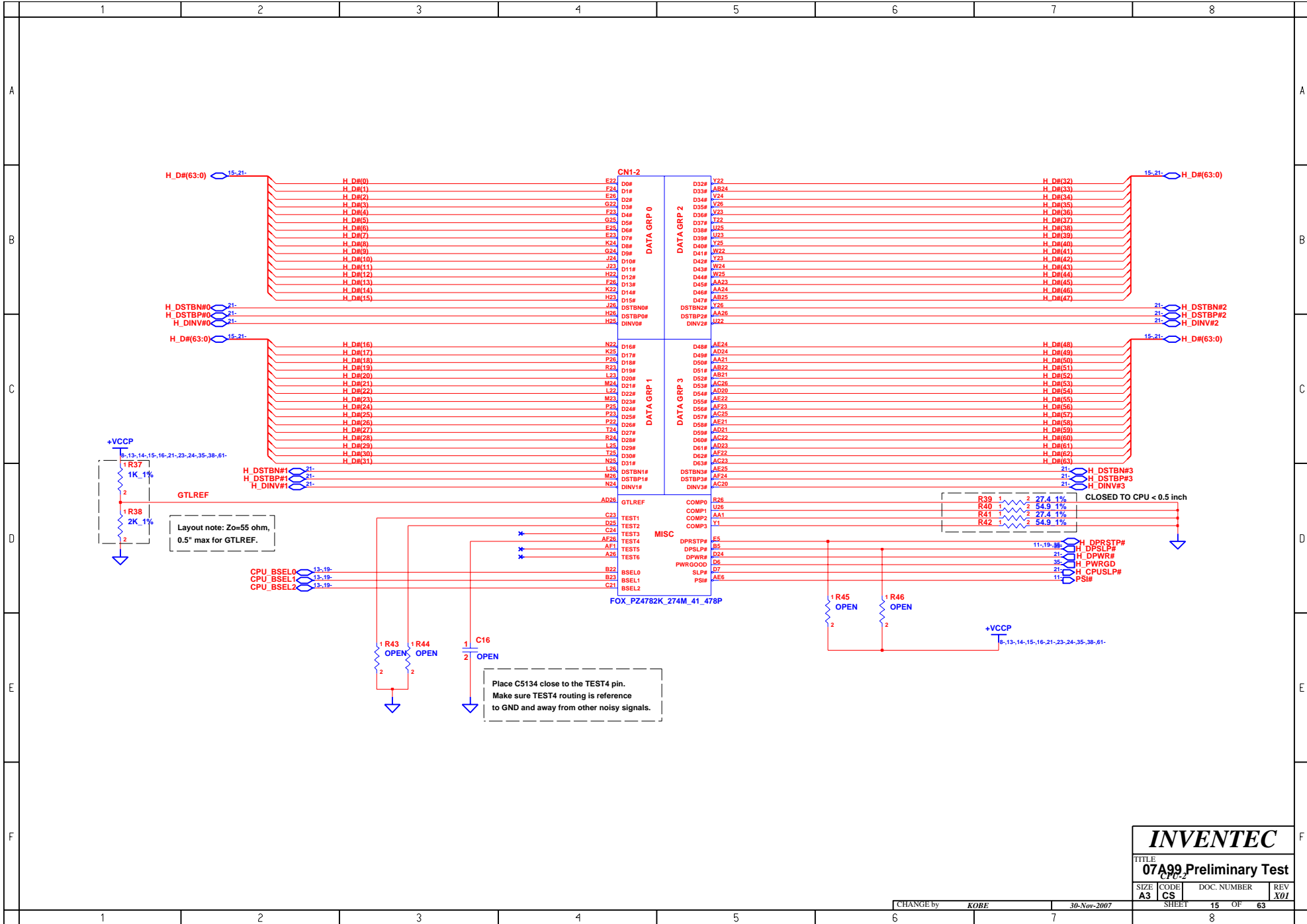
CHANGE by **KOBE** 24-Aug-2007

SHEET 13 OF 63



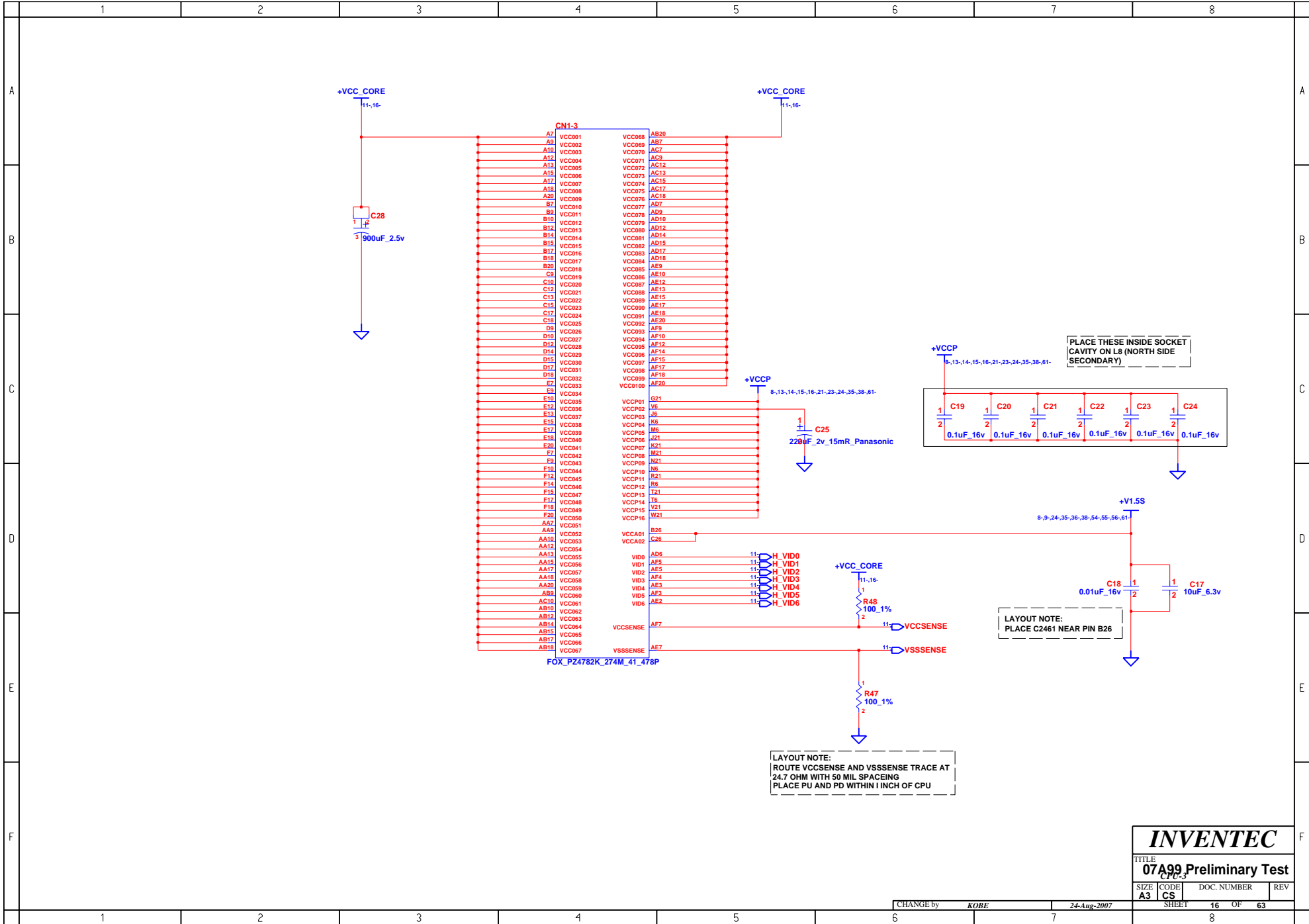
INVENTEC			
TITLE			
07A99 Preliminary Test			
SIZE	CODE	DOC. NUMBER	REV
A3	CS	14 OF 63	X01

CHANGE by **KOBE** 24-Aug-2007



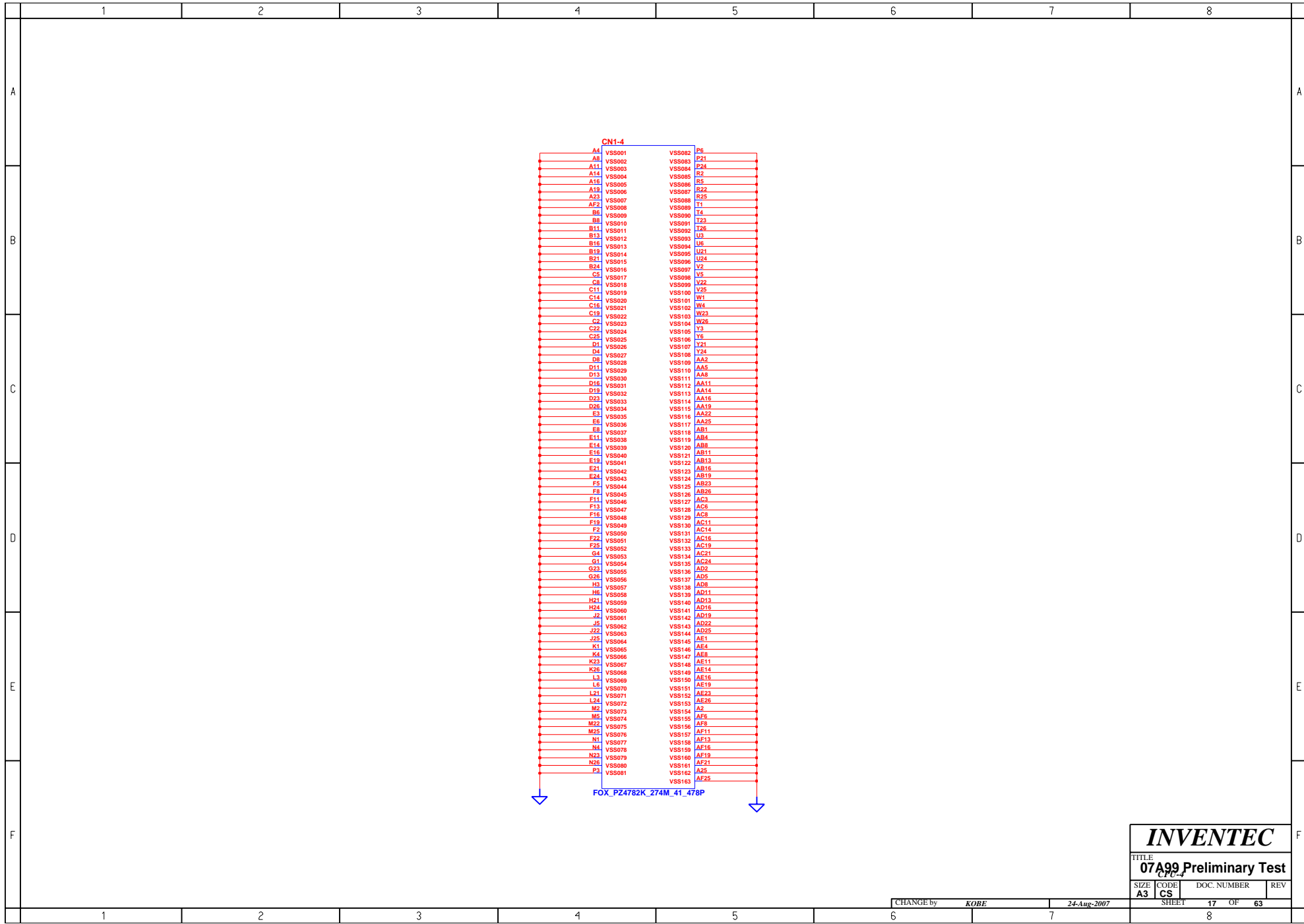
INVENTEC			
TITLE			
07A99 Preliminary Test			
SIZE	CODE	DOC. NUMBER	REV
A3	CS	15 OF 63	X01

CHANGE by **KOBE** 30-Nov-2007 SHEET 15 OF 63



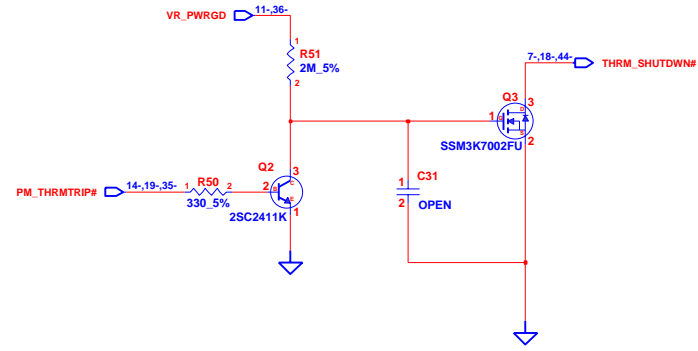
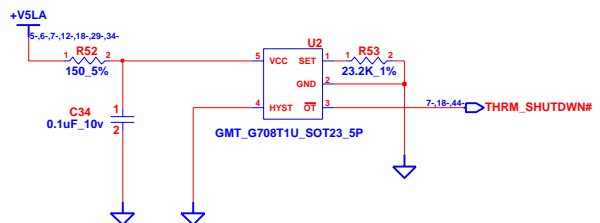
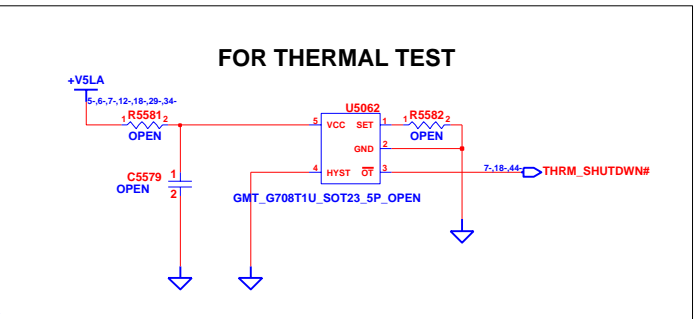
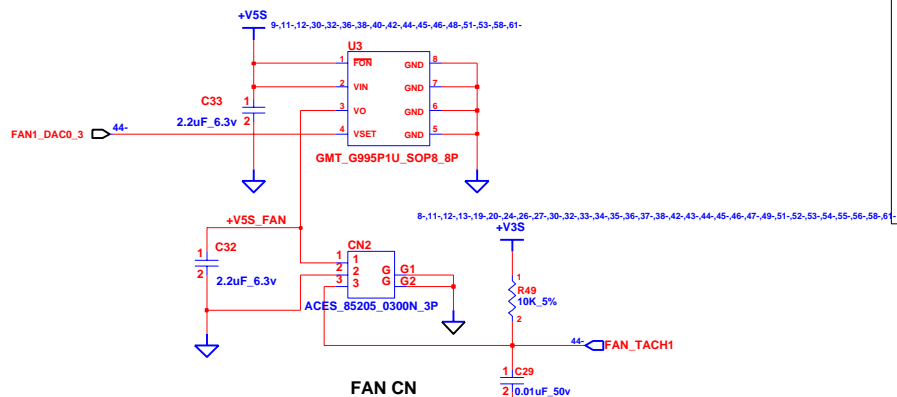
INVENTEC

TITLE			
07A99 Preliminary Test			
SIZE	CODE	DOC. NUMBER	REV
A3	CS	16 OF 63	

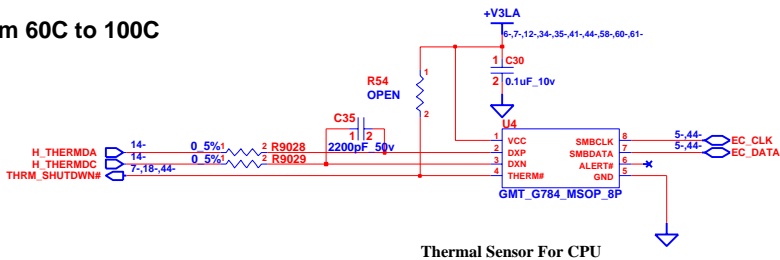


INVENTEC			
TITLE			
07A99 Preliminary Test			
SIZE	CODE	DOC. NUMBER	REV
A3	CS	17 OF 63	
SHEET			

CHANGE by **KOBE** 24-Aug-2007

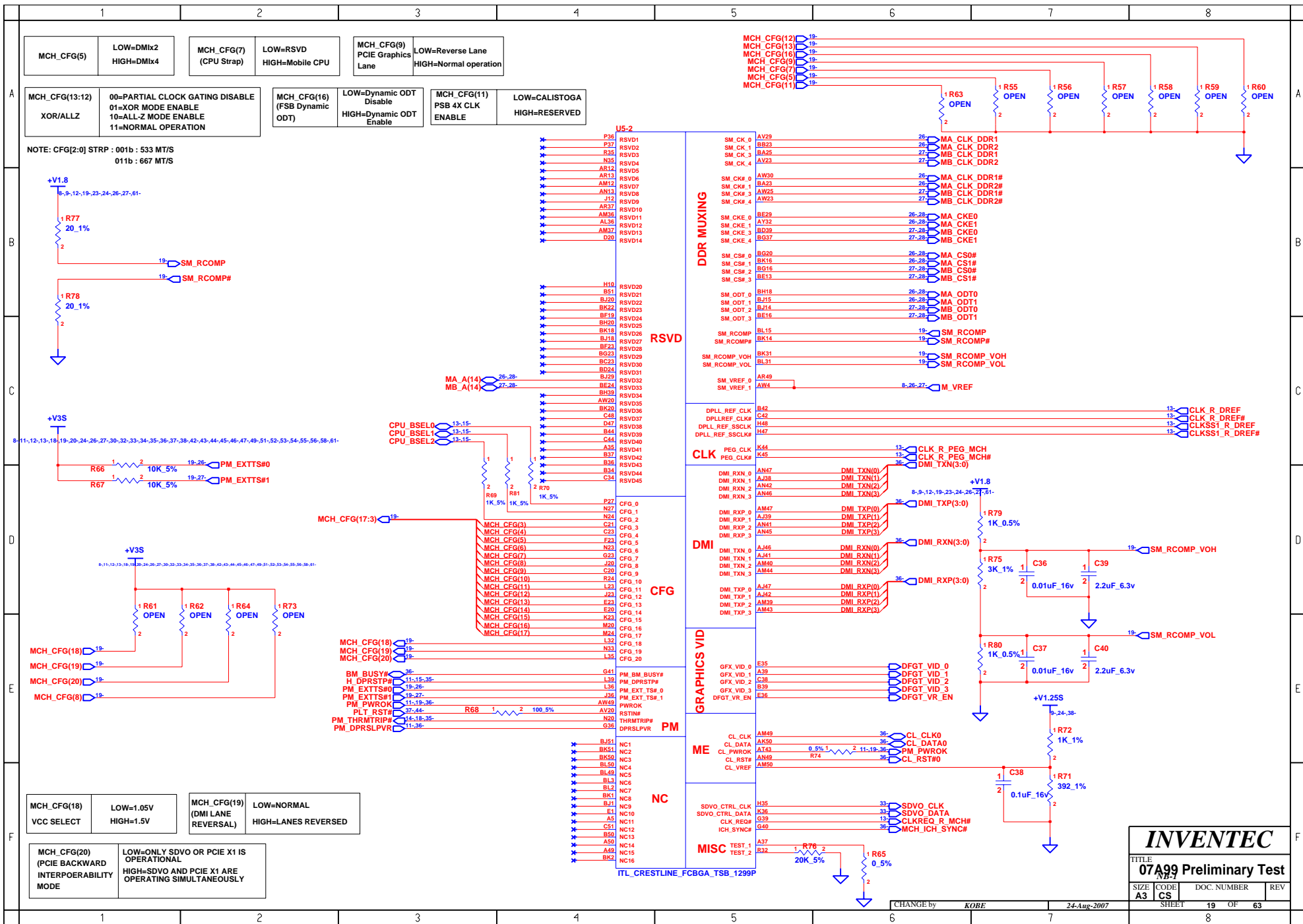


Thermal shutdown at 88.5C +/-3C from 60C to 100C
 $RSET=0.0012 \cdot T^2 - 0.9308 \cdot T + 96.147$
 Hysteresis is 30C



INVENTEC			
TITLE			
07A99 Preliminary Test			
THERMAL & FAN CONTROLLER			
SIZE	CODE	DOC. NUMBER	REV
A3	CS	18 OF 63	X01

CHANGE by *KOBE* 24-Aug-2007

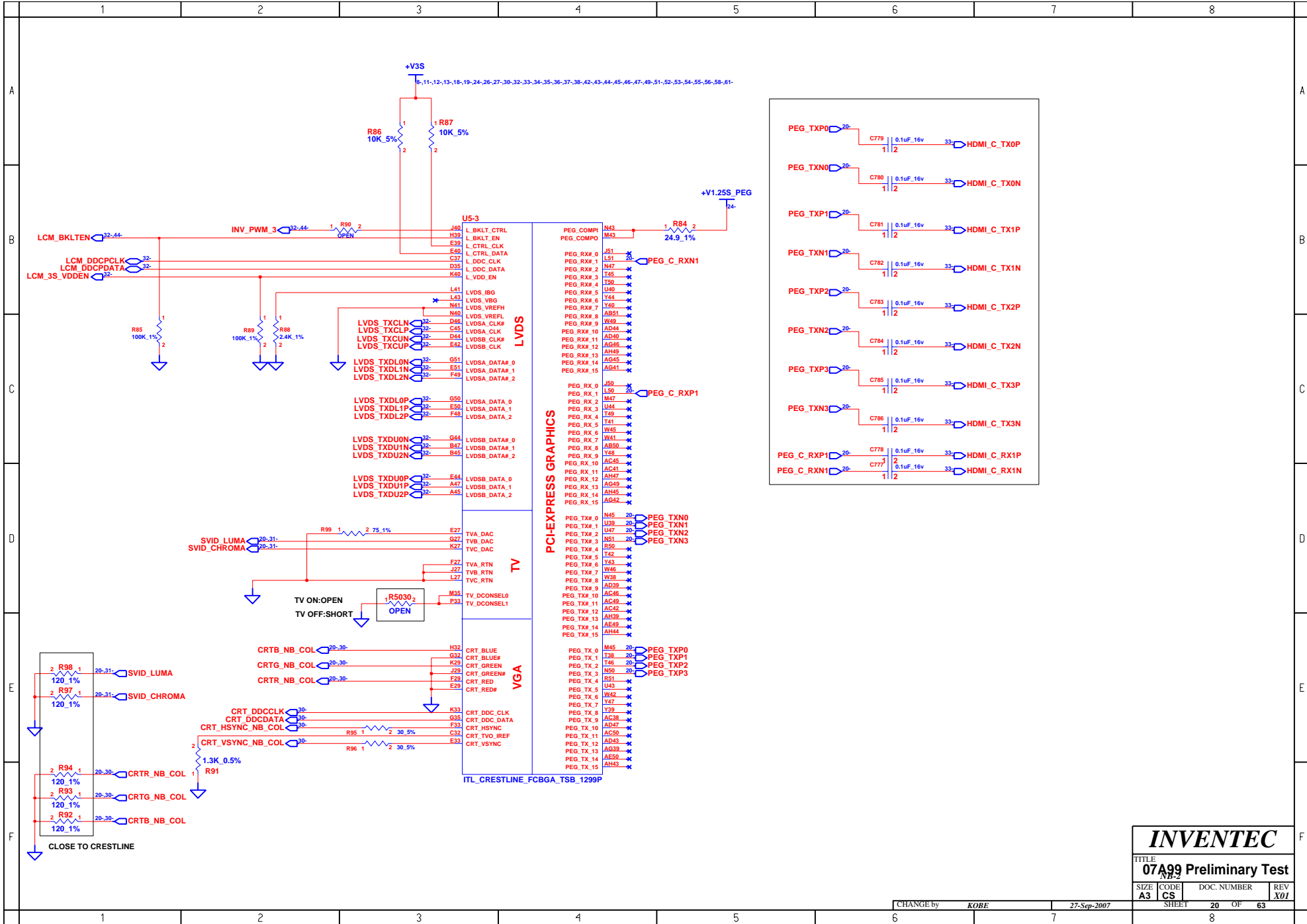


INVENTEC

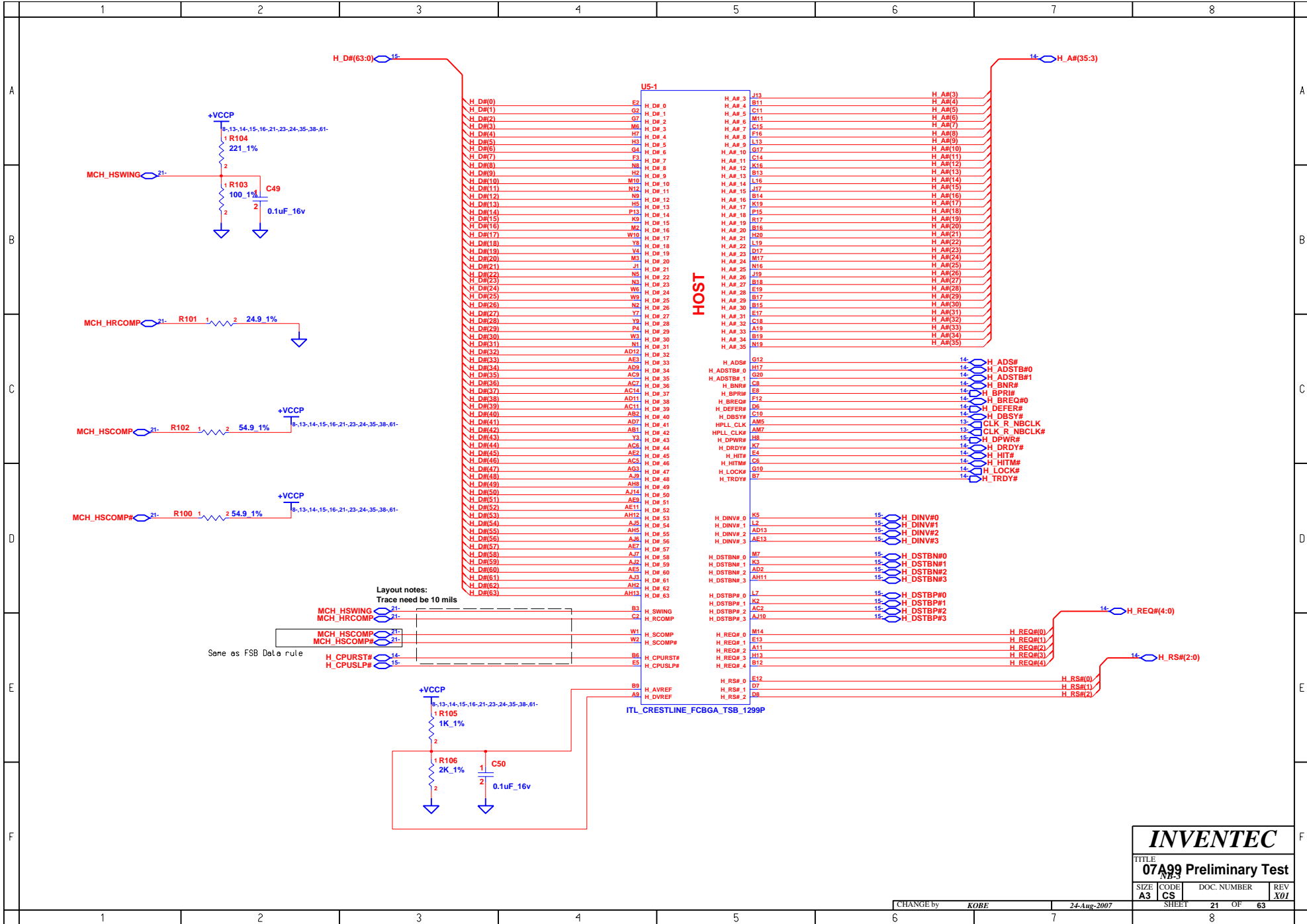
TITLE
07A99 Preliminary Test

SIZE A3	CODE CS	DOC. NUMBER SHEET 19 OF 63	REV
------------	------------	-------------------------------	-----

CHANGE by **KOBE** 24-Aug-2007

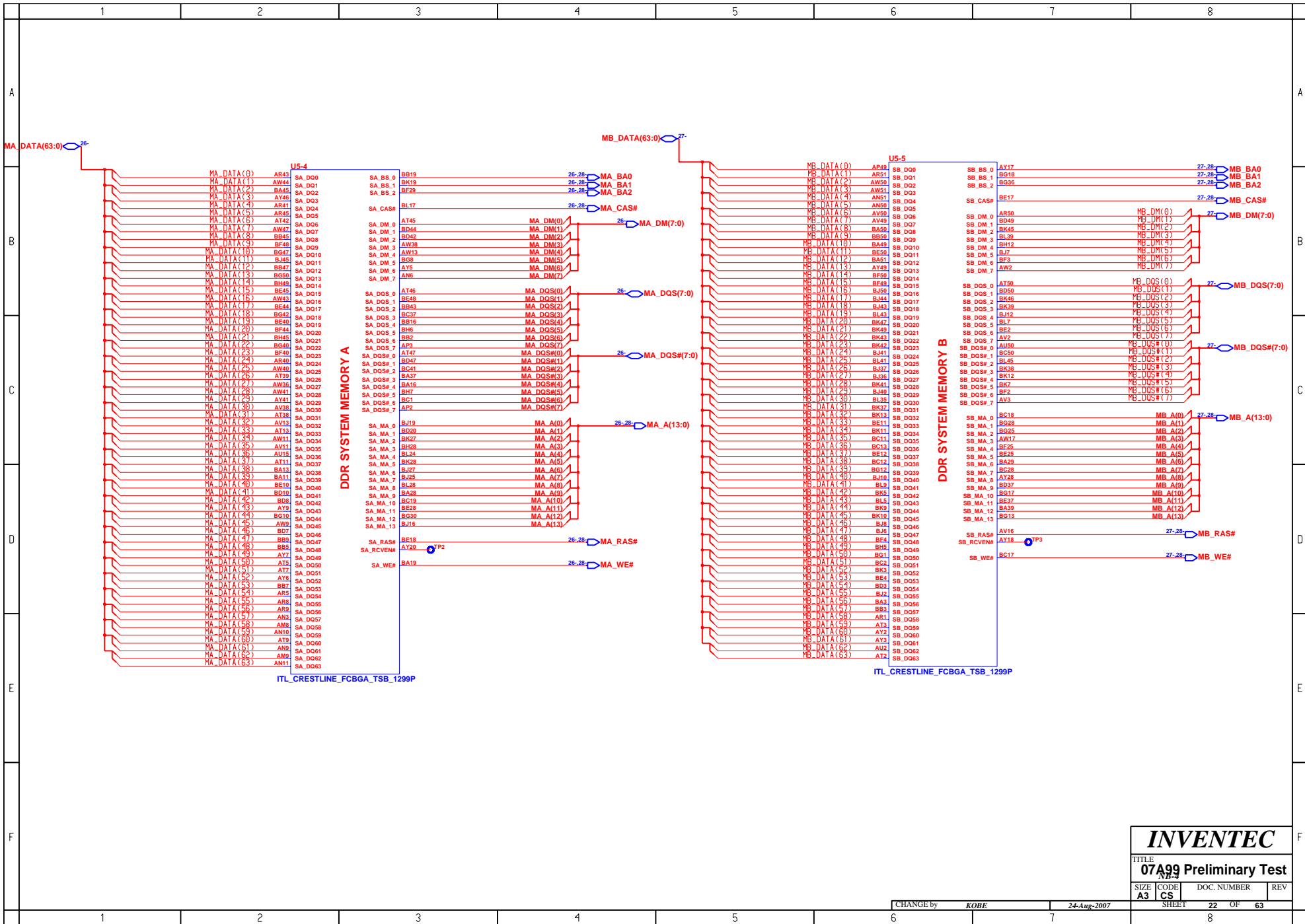


INVENTEC			
TITLE			
07A99 Preliminary Test			
SIZE	CODE	DOC. NUMBER	REV
A3	CS		X01
CHANGE by		27-Sep-2007	
SHEET		20 OF 63	
		8	



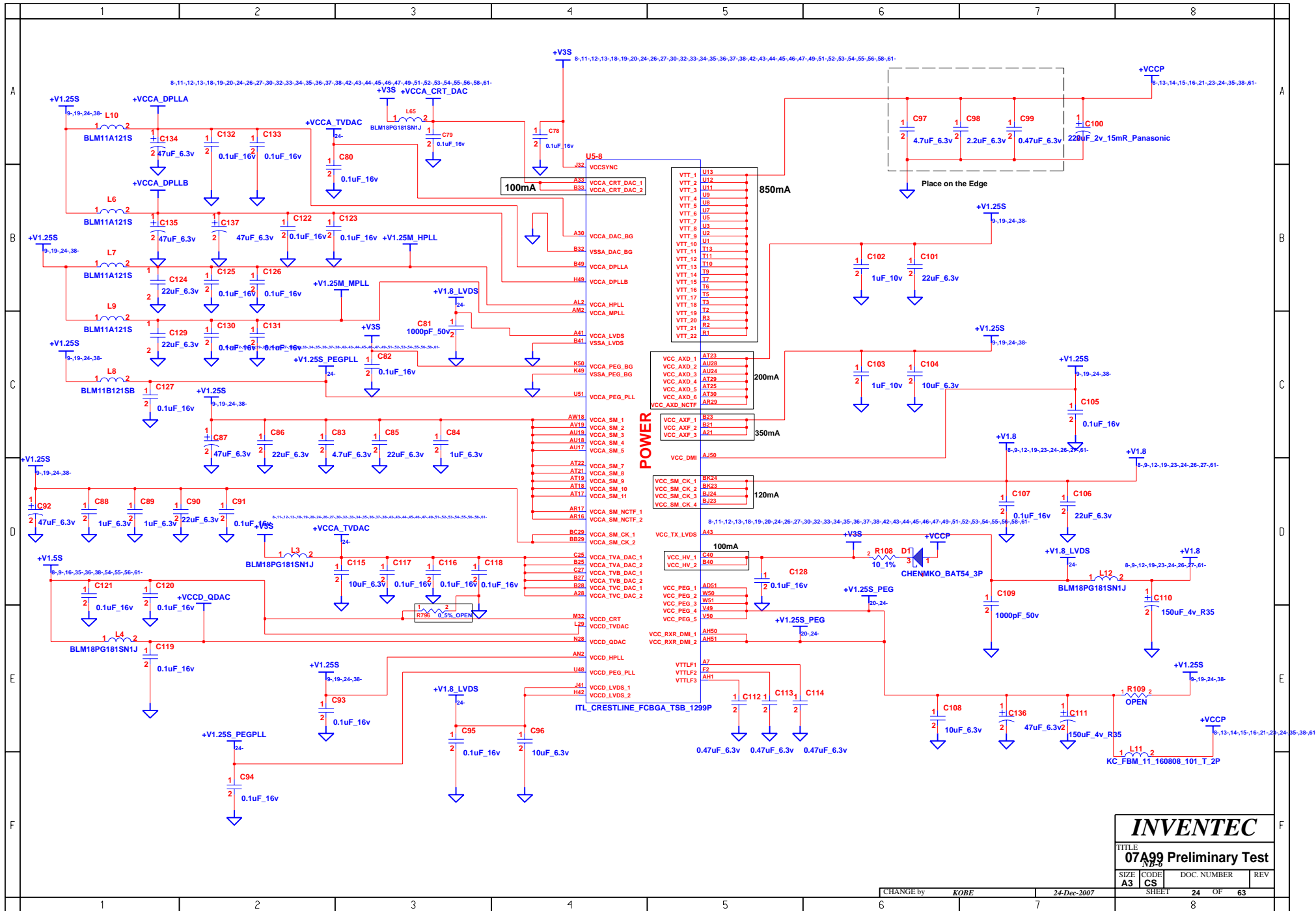
INVENTEC			
TITLE			
07A99 Preliminary Test			
SIZE	CODE	DOC. NUMBER	REV
A3	CS	SHEET 21 OF 63	X01

CHANGE by **KOBE** 24-Aug-2007



INVENTEC			
TITLE			
07A99 Preliminary Test			
SIZE	CODE	DOC. NUMBER	REV
A3	CS	SHEET 22 OF 63	

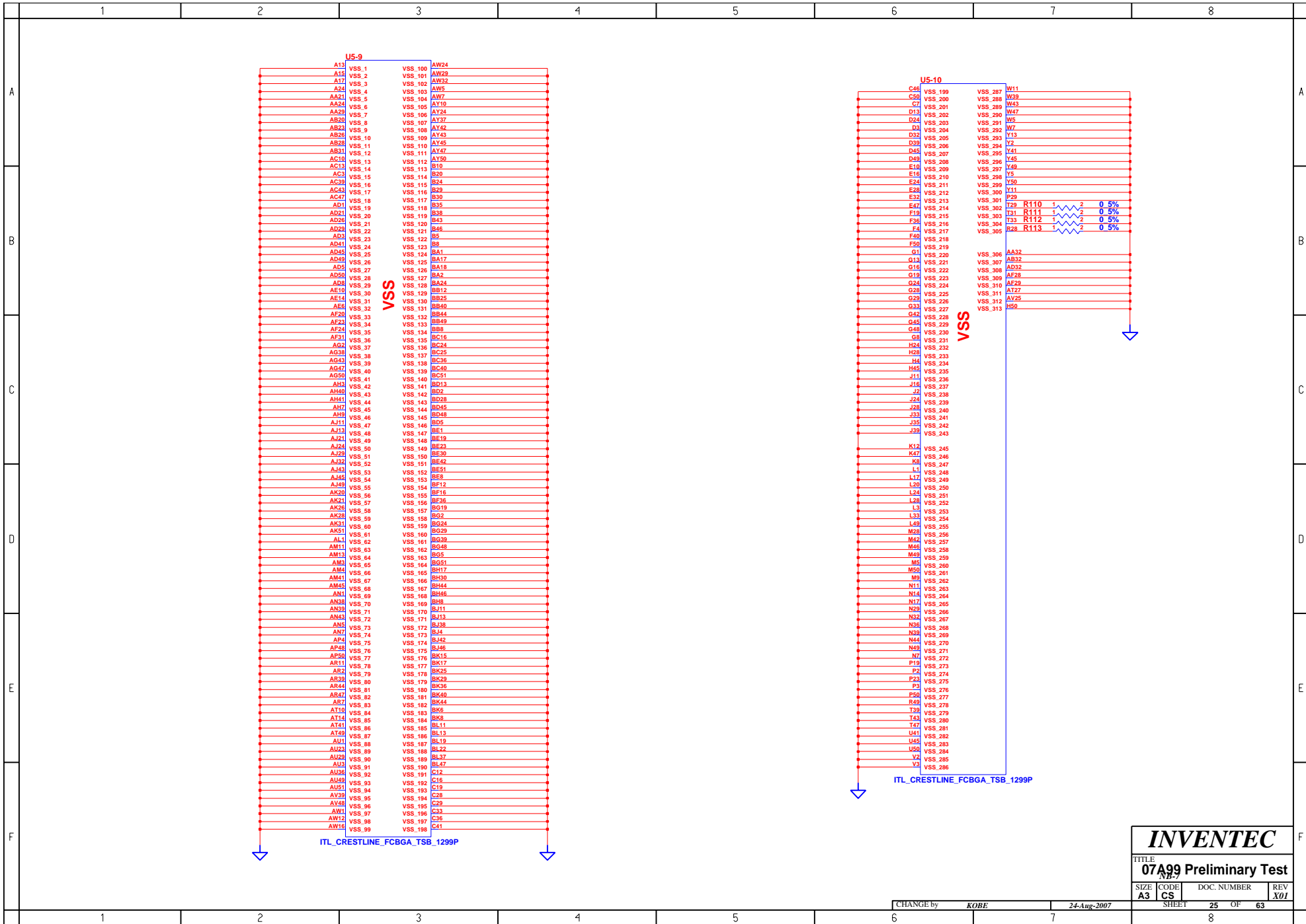
CHANGE by **KOBE** 24-Aug-2007



INVENTEC

TITLE
07A99 Preliminary Test
 REV. 0

SIZE	CODE	DOC. NUMBER	REV
A3	CS		



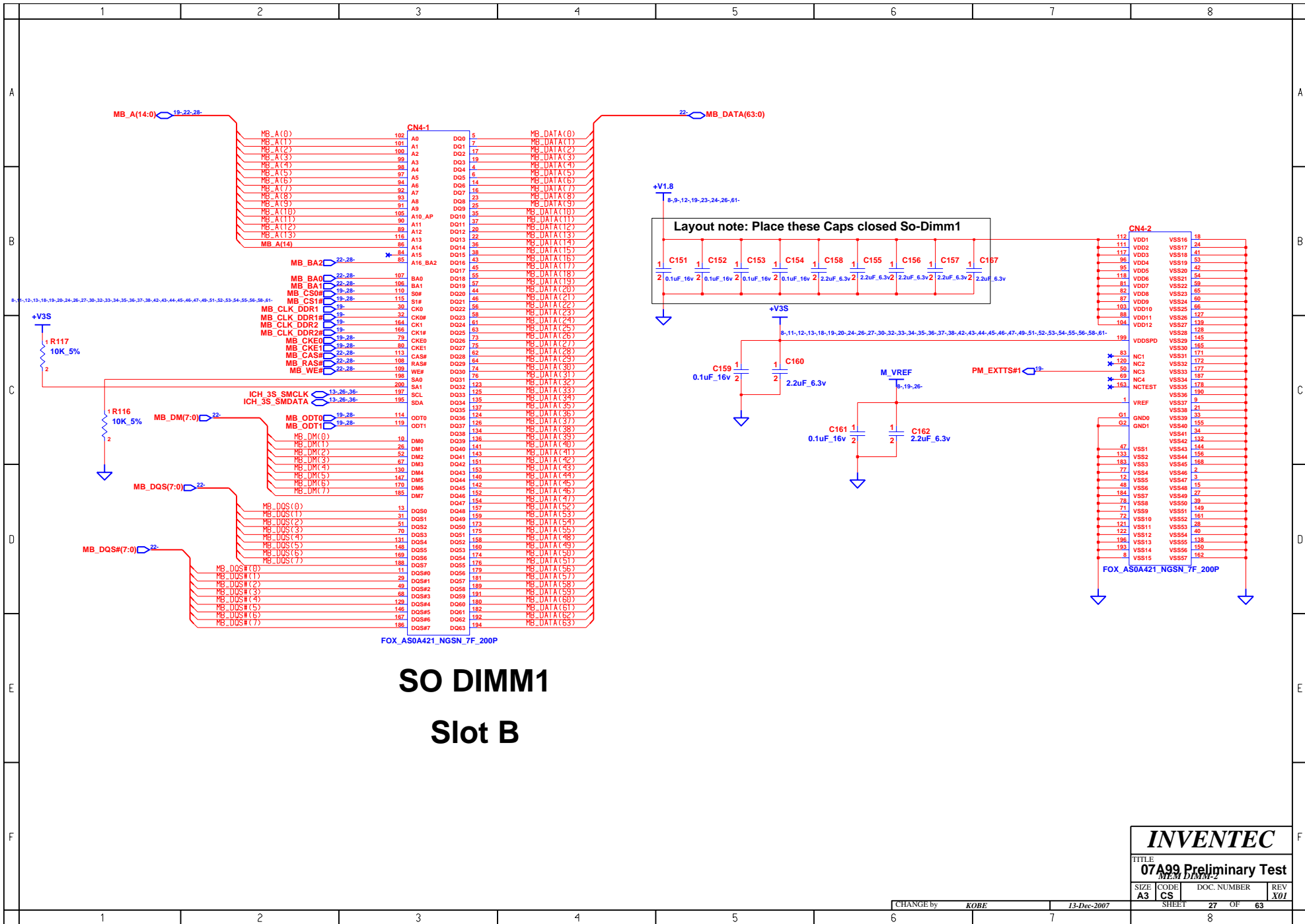
INVENTEC

TITLE
07A99 Preliminary Test
 NR.7

SIZE	CODE	DOC. NUMBER	REV
A3	CS		X01

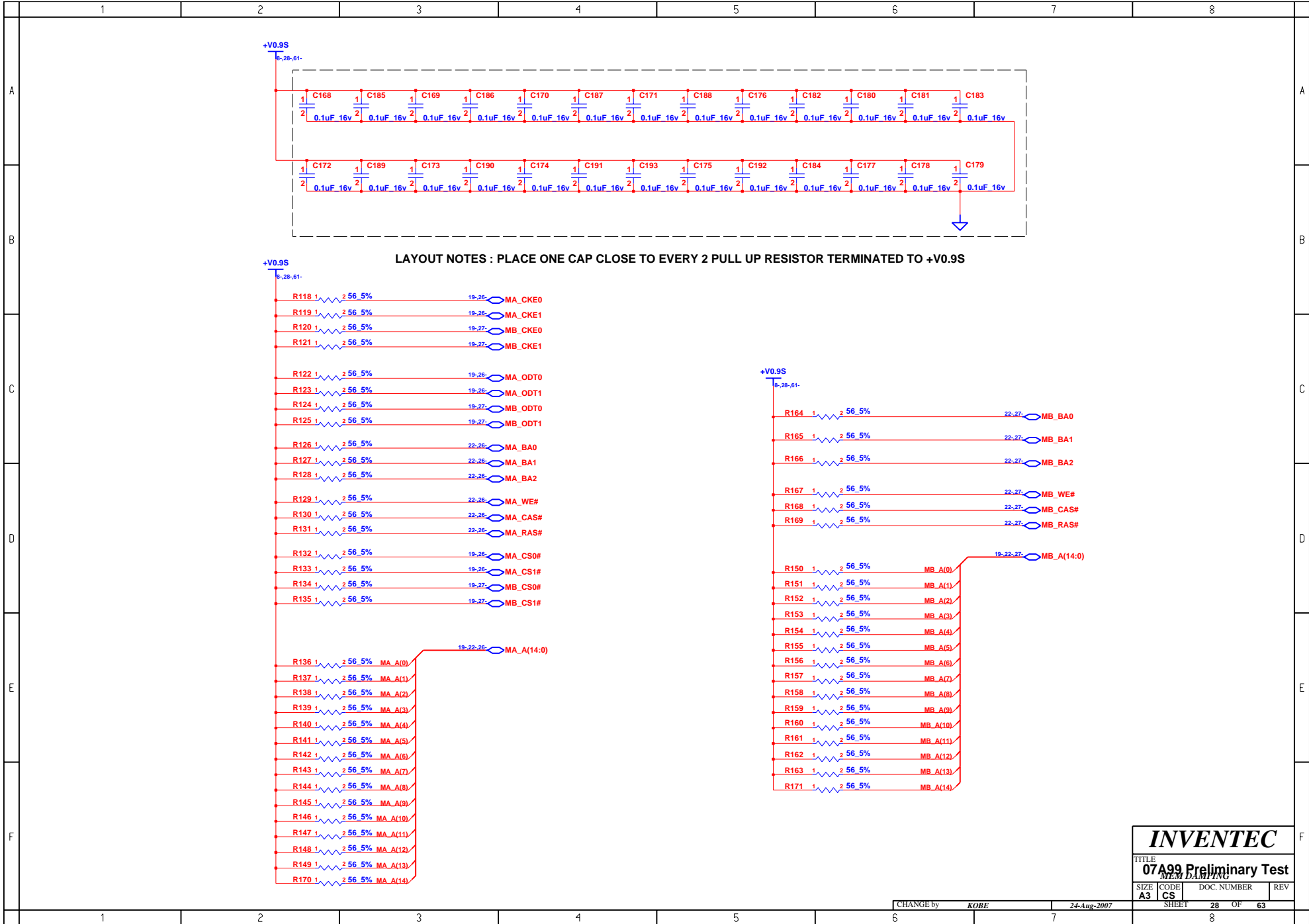
CHANGE by **KOBE** 24-Aug-2007

SHEET 25 OF 63



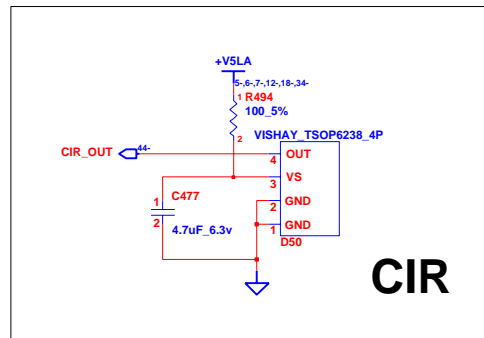
INVENTEC			
TITLE			
07A99 Preliminary Test			
MEM DIMM-2			
SIZE	CODE	DOC. NUMBER	REV
A3	CS		X01
CHANGE by		SHEET	
ROBE		27 OF 63	

13-Dec-2007



LAYOUT NOTES : PLACE ONE CAP CLOSE TO EVERY 2 PULL UP RESISTOR TERMINATED TO +V0.9S

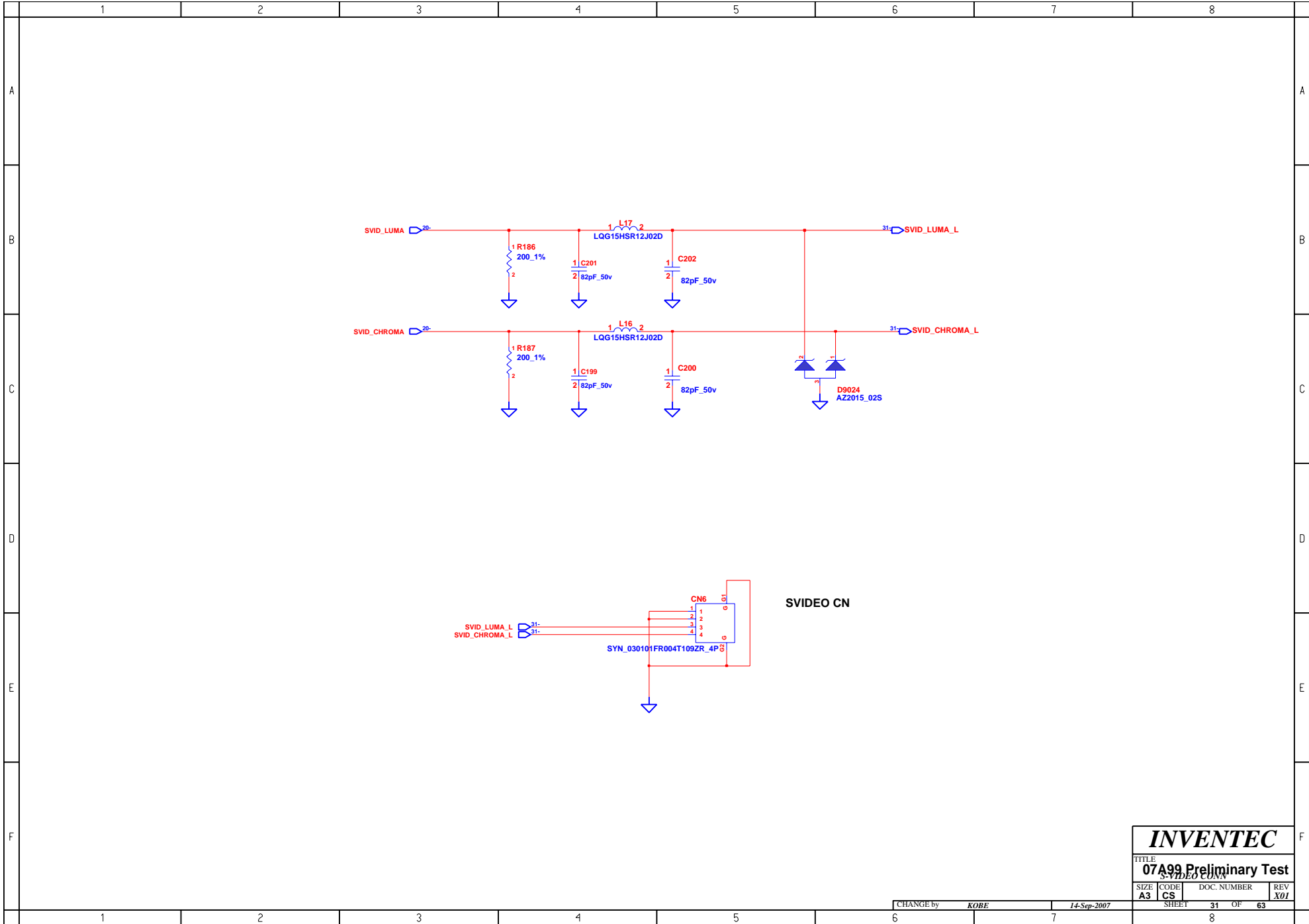
INVENTEC			
TITLE			
07A99 Preliminary Test			
<small>MEM DAPPING</small>			
SIZE	CODE	DOC. NUMBER	REV
A3	CS		
CHANGE by		SHEET	
ROBE		28 OF 63	
		24-Aug-2007	



CIR

INVENTEC			
TITLE			
07A99 Preliminary Test			
SIZE	CODE	DOC. NUMBER	REV
A3	CS	29 OF 63	
CHANGE by		SHEET	
KOBÉ		8	

19-Sep-2007



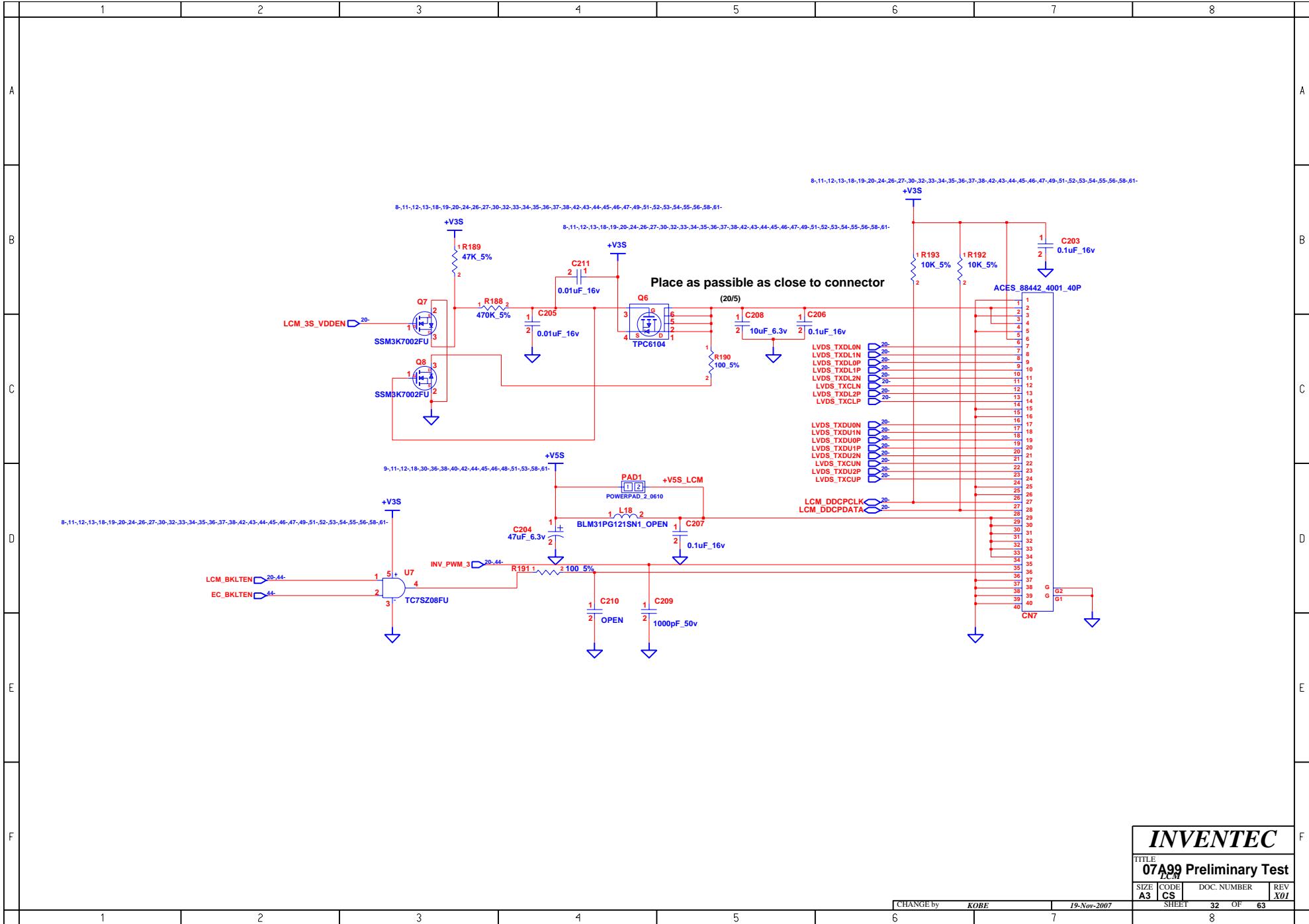
INVENTEC

TITLE
07A99 Preliminary Test
 S-VIDEO CONV

SIZE A3	CODE CS	DOC. NUMBER 31 OF 63	REV X01
-------------------	-------------------	-------------------------	-------------------

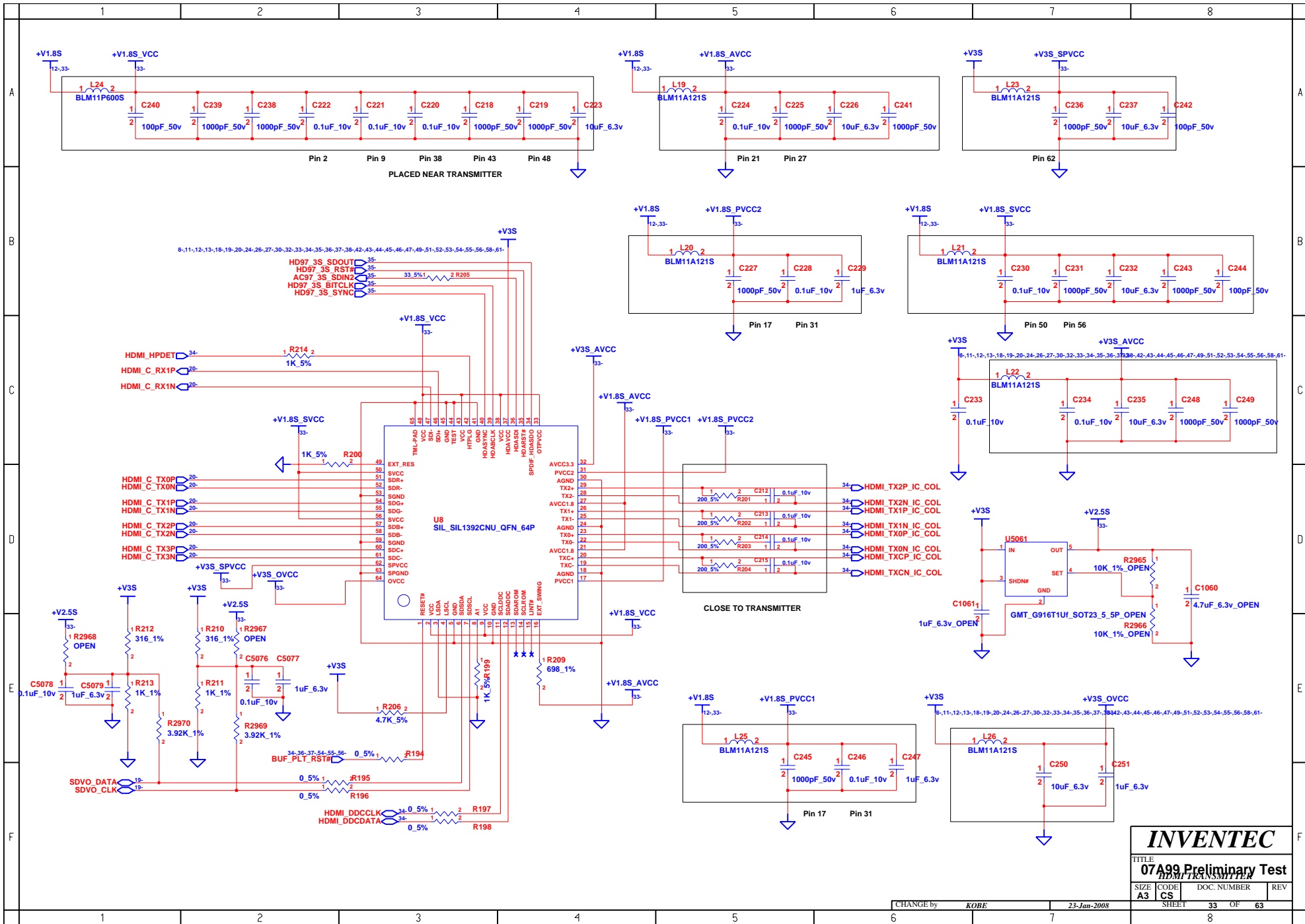
CHANGE by **KOBE** 14-Sep-2007

SHEET 31 OF 63



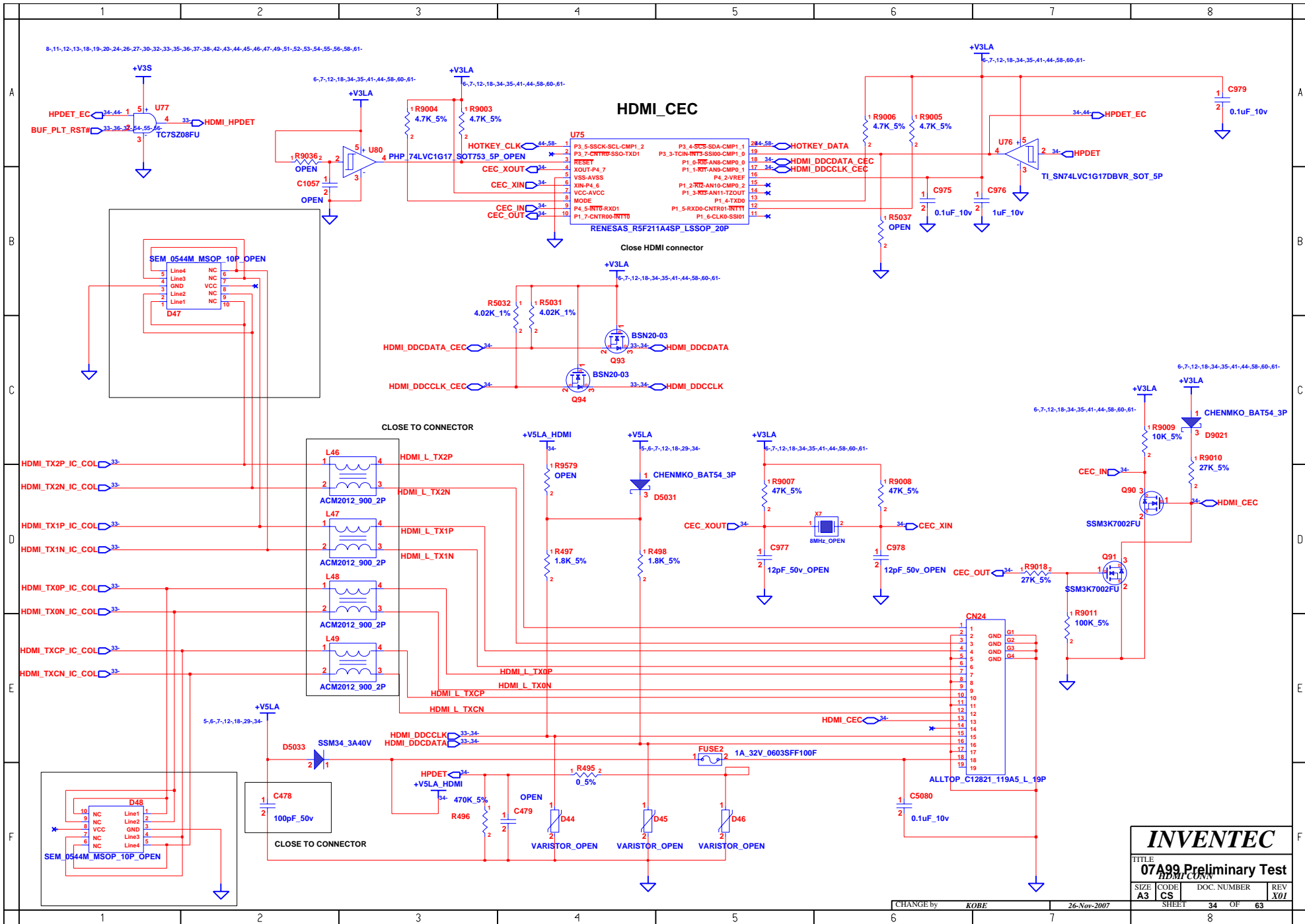
Place as passible as close to connector

INVENTEC			
TITLE			
07A99 Preliminary Test			
SIZE	CODE	DOC. NUMBER	REV
A3	CS		X01
CHANGE by		SHEET	
KOBÉ		32 OF 63	
		19-Nov-2007	



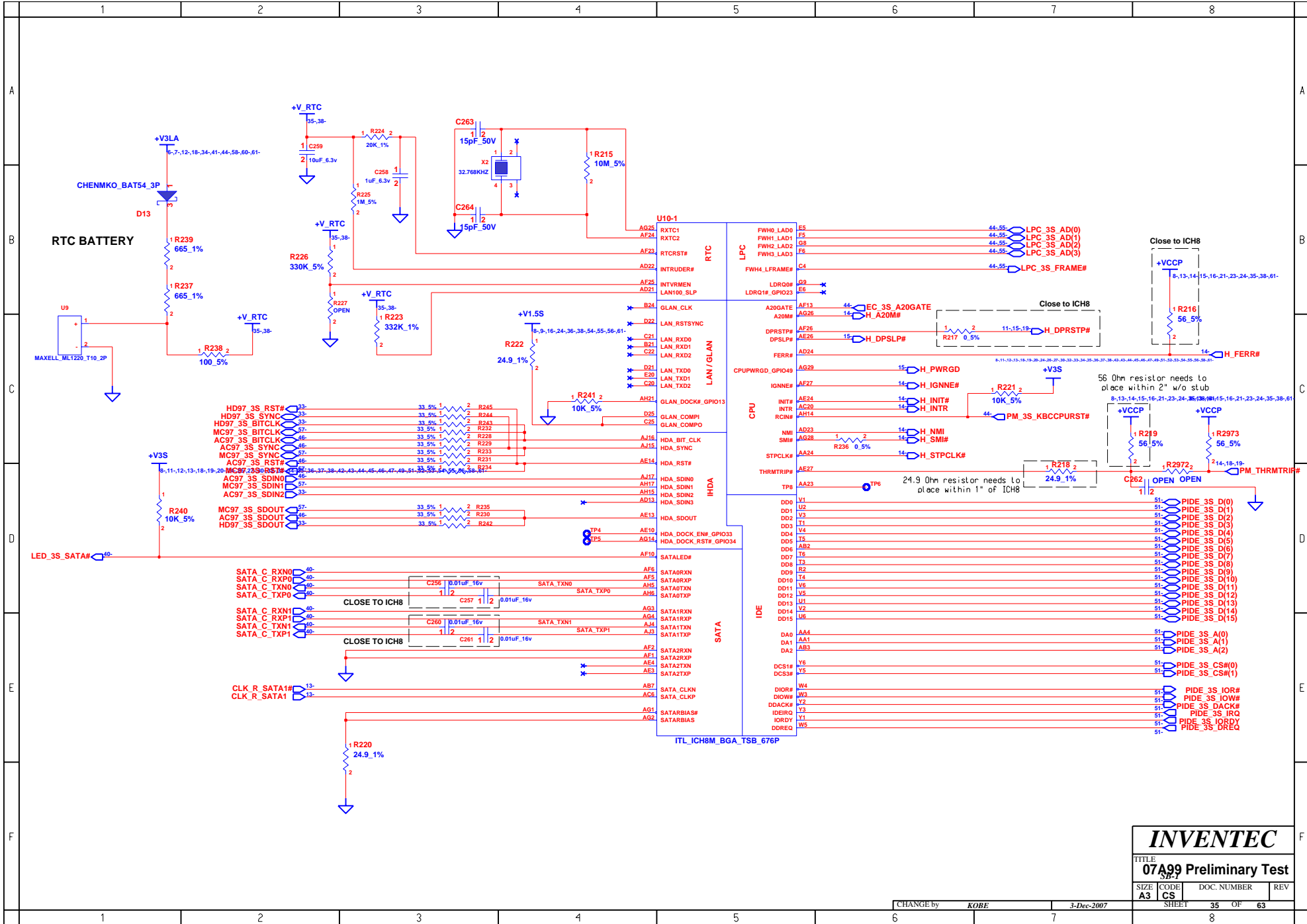
INVENTEC
 TITLE
 07A99 Preliminary Test
 HDMI TRANSMITTER

SIZE	CODE	DOC. NUMBER	REV
A3	CS		



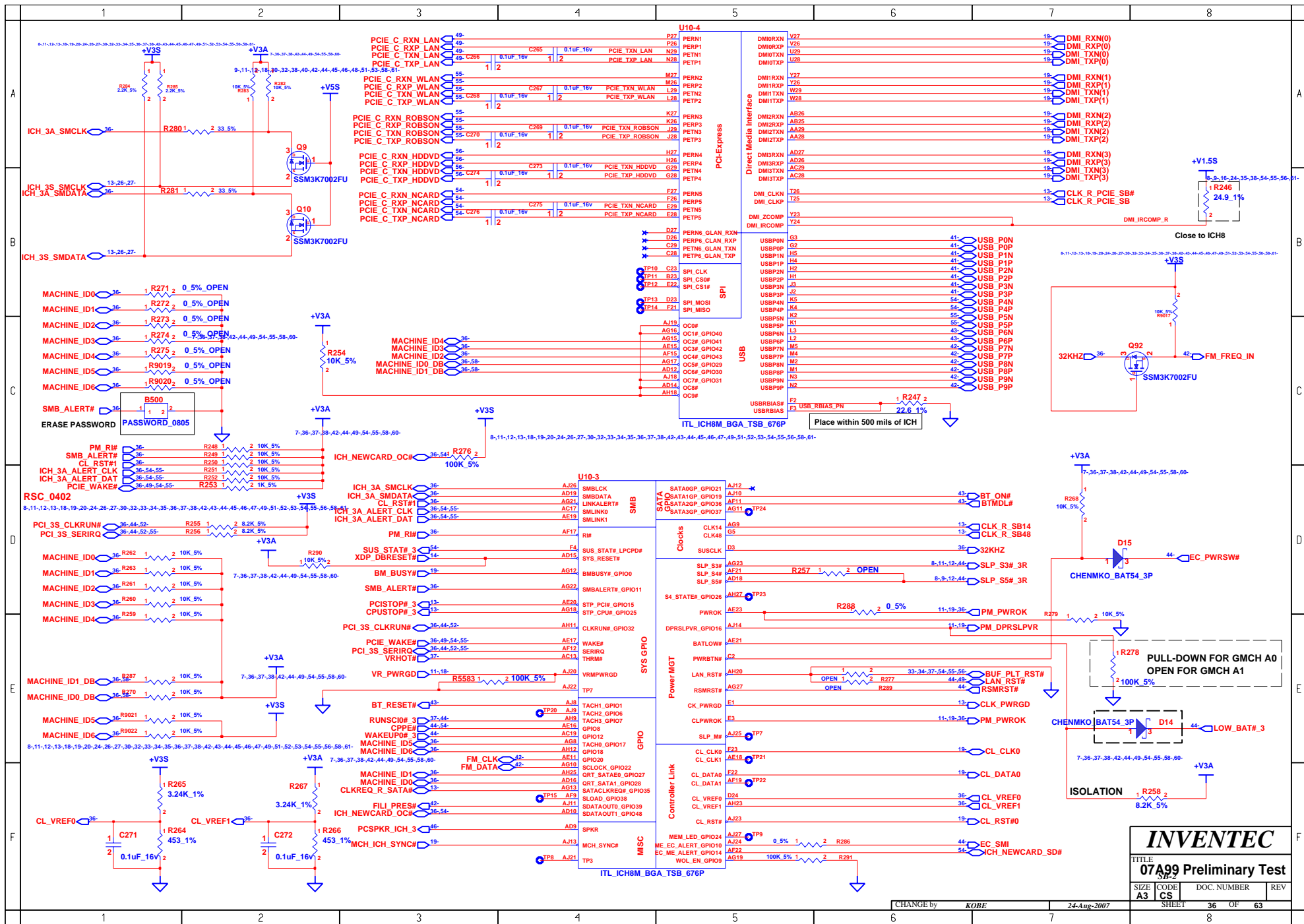
INVENTEC
 TITLE
 07A99 Preliminary Test
 SIZE CODE DOC NUMBER REV
 A3 CS SHEET 34 OF 63

CHANGE by KOBE 26-Nov-2007



INVENTEC			
TITLE			
07A99 Preliminary Test			
SIZE	CODE	DOC. NUMBER	REV
A3	CS	SHEET 35 OF 63	8

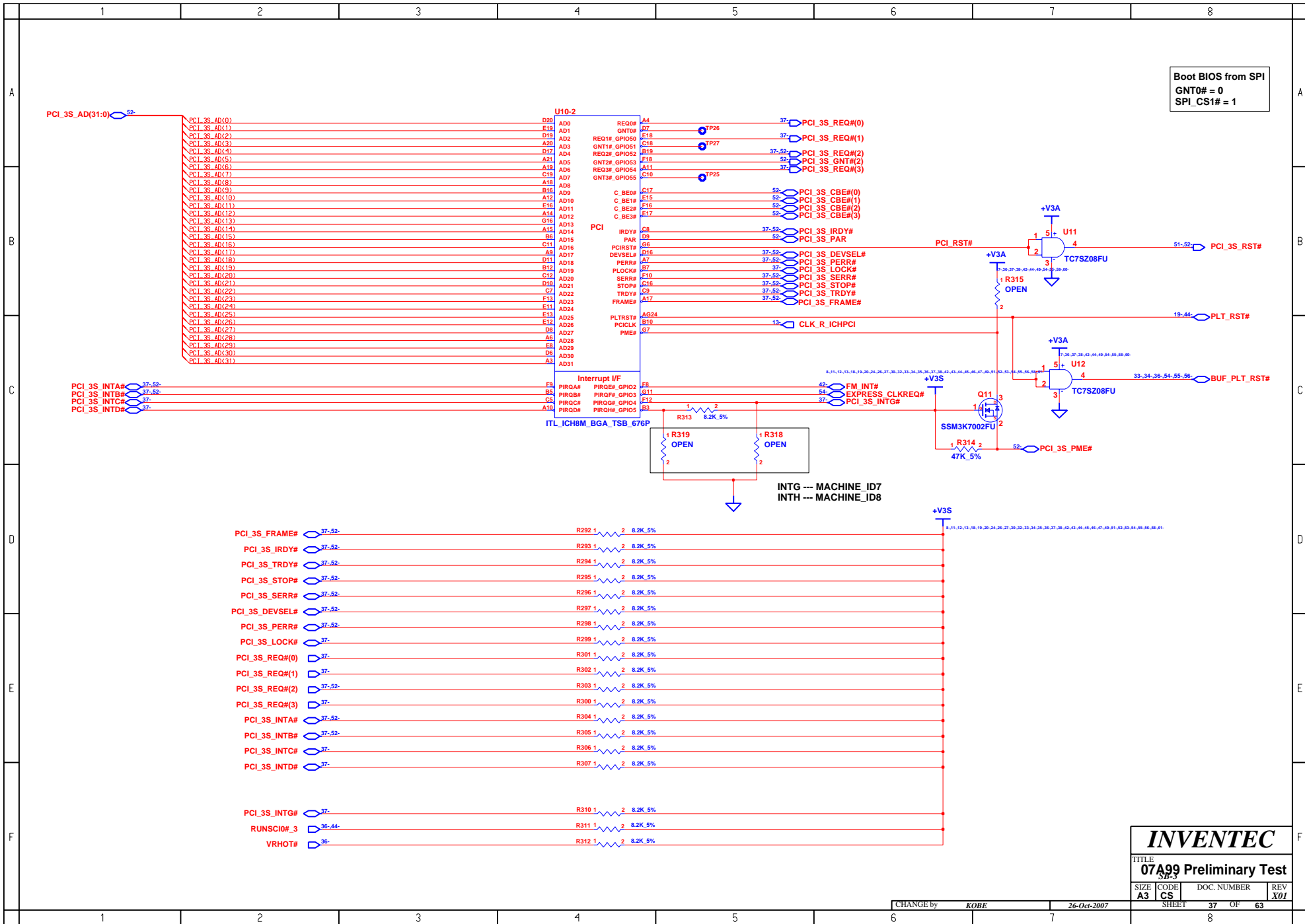
CHANGE by **KOBE** 3-Dec-2007



INVENTEC

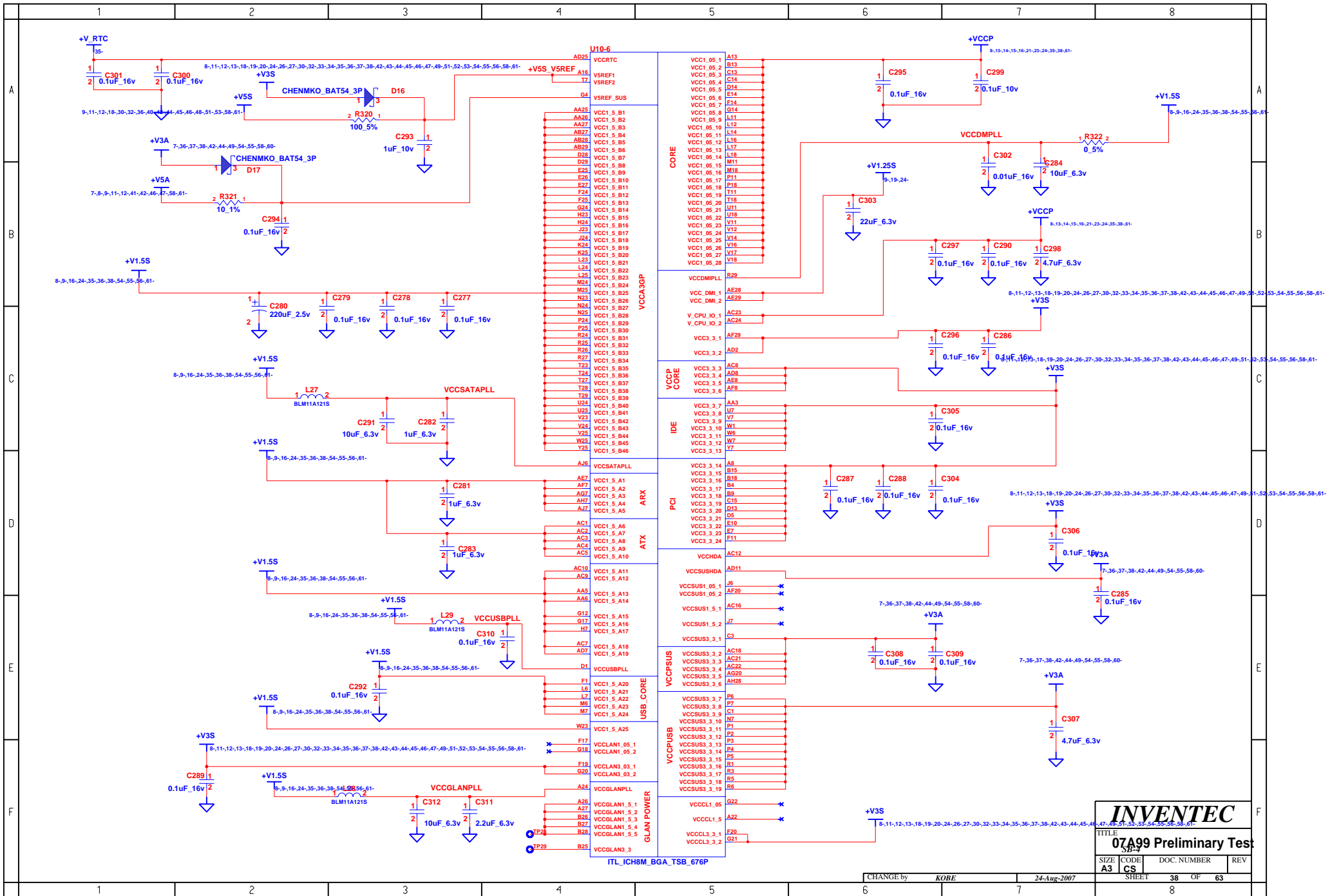
TITLE
07A99 Preliminary Test

SIZE A3	CODE CS	DOC. NUMBER	REV
SHEET		36 OF	63



Boot BIOS from SPI
 GNT0# = 0
 SPI_CS1# = 1

INVENTEC			
TITLE			
07A99 Preliminary Test			
SIZE	CODE	DOC. NUMBER	REV
A3	CS		X01
CHANGE by			SHEET
KOBE			37 OF 63
26-Oct-2007			8



INVENTEC

TITLE
07A99 Preliminary Test

SIZE	CODE	DOC. NUMBER	REV
A3	CS	SHEET 38 OF 63	

CHANGE by **KOBE** 24-Aug-2007

	1	2	3	4	5	6	7	8	
A									A
B									B
C									C
D									D
E									E
F									F

U10-5

A23	VSS001	VSS009	K7
A5	VSS002	VSS100	L1
AA2	VSS003	VSS101	L13
AA3	VSS004	VSS102	L15
A25	VSS005	VSS103	L26
AB1	VSS006	VSS104	L27
AB24	VSS007	VSS105	L4
AC11	VSS008	VSS106	L5
AC14	VSS009	VSS107	M12
AC25	VSS010	VSS108	M13
AC27	VSS011	VSS109	M14
AD17	VSS012	VSS110	M15
AD20	VSS013	VSS111	M16
AD28	VSS014	VSS112	M17
AD29	VSS015	VSS113	M22
AD36	VSS016	VSS114	M28
AD3	VSS017	VSS115	M29
AD4	VSS018	VSS116	M3
AD5	VSS019	VSS117	M1
AE1	VSS020	VSS118	N11
AE12	VSS021	VSS119	N12
AE2	VSS022	VSS120	N13
AE22	VSS023	VSS121	N14
AD1	VSS024	VSS122	N15
AE25	VSS025	VSS123	N16
AE5	VSS026	VSS124	N17
AE5	VSS027	VSS125	N18
AE9	VSS028	VSS126	N26
AF14	VSS029	VSS127	N27
AF14	VSS030	VSS128	N4
AF18	VSS031	VSS129	N5
AF3	VSS032	VSS130	N6
AF4	VSS033	VSS131	P12
AG5	VSS034	VSS132	P13
AG5	VSS035	VSS133	P14
AH10	VSS036	VSS134	P15
AH12	VSS037	VSS135	P16
AH15	VSS038	VSS136	P17
AH15	VSS039	VSS137	P23
AH2	VSS040	VSS138	P28
AF28	VSS041	VSS139	P29
AH22	VSS042	VSS140	R11
AH24	VSS043	VSS141	R12
AH26	VSS044	VSS142	R13
AH5	VSS045	VSS143	R14
AH5	VSS046	VSS144	R15
AH5	VSS047	VSS145	R16
AJ5	VSS048	VSS146	R17
B14	VSS049	VSS147	R18
B14	VSS050	VSS148	R28
B17	VSS051	VSS149	R4
B2	VSS052	VSS150	T12
B25	VSS053	VSS151	T13
B25	VSS054	VSS152	T14
B8	VSS055	VSS153	T15
C24	VSS056	VSS154	T16
C28	VSS057	VSS155	T17
C27	VSS058	VSS156	T2
C6	VSS059	VSS157	U12
D14	VSS060	VSS158	U13
D15	VSS061	VSS159	U14
D15	VSS062	VSS160	U15
D2	VSS063	VSS161	U16
D4	VSS064	VSS162	U17
E21	VSS065	VSS163	U26
E24	VSS066	VSS164	U26
E4	VSS067	VSS165	U27
E5	VSS068	VSS166	U3
F15	VSS069	VSS167	U5
E23	VSS070	VSS168	V13
F28	VSS071	VSS169	V15
F28	VSS072	VSS170	V28
F7	VSS073	VSS171	V29
G1	VSS074	VSS172	W2
F4	VSS075	VSS173	W26
G15	VSS076	VSS174	W27
G13	VSS077	VSS175	Y28
G19	VSS078	VSS176	Y29
G23	VSS079	VSS177	Y4
G25	VSS080	VSS178	AB4
G26	VSS081	VSS179	AB23
G27	VSS082	VSS180	AB5
H25	VSS083	VSS181	AB6
H28	VSS084	VSS182	AD5
H28	VSS085	VSS183	U4
H3	VSS086	VSS184	W24
H6	VSS087	VSS_NCTF_01	A1
J1	VSS088	VSS_NCTF_02	A2
J25	VSS089	VSS_NCTF_03	A28
J28	VSS090	VSS_NCTF_04	A29
J21	VSS091	VSS_NCTF_05	AH1
J4	VSS092	VSS_NCTF_06	AJ23
J5	VSS093	VSS_NCTF_07	AJ1
K23	VSS094	VSS_NCTF_08	AJ2
K28	VSS095	VSS_NCTF_09	AJ28
K25	VSS096	VSS_NCTF_010	AJ29
K3	VSS097	VSS_NCTF_011	B1
K6	VSS098	VSS_NCTF_012	B29

ITL_ICH8M_BGA_TSB_676P

INVENTEC

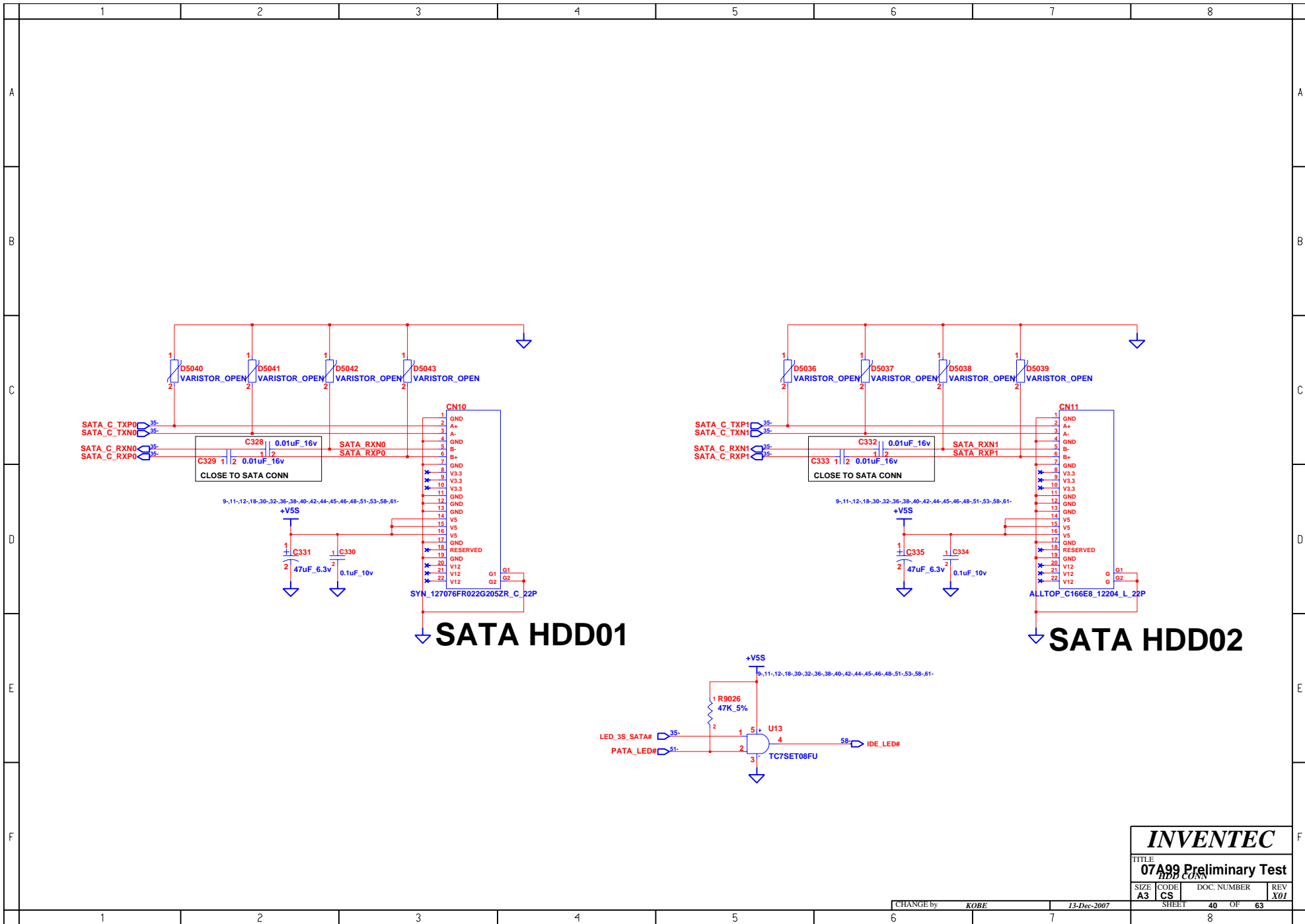
TITLE
07A99 Preliminary Test
SB-3

SIZE A3	CODE CS	DOC. NUMBER 39 OF 63	REV X01
-------------------	-------------------	-------------------------	-------------------

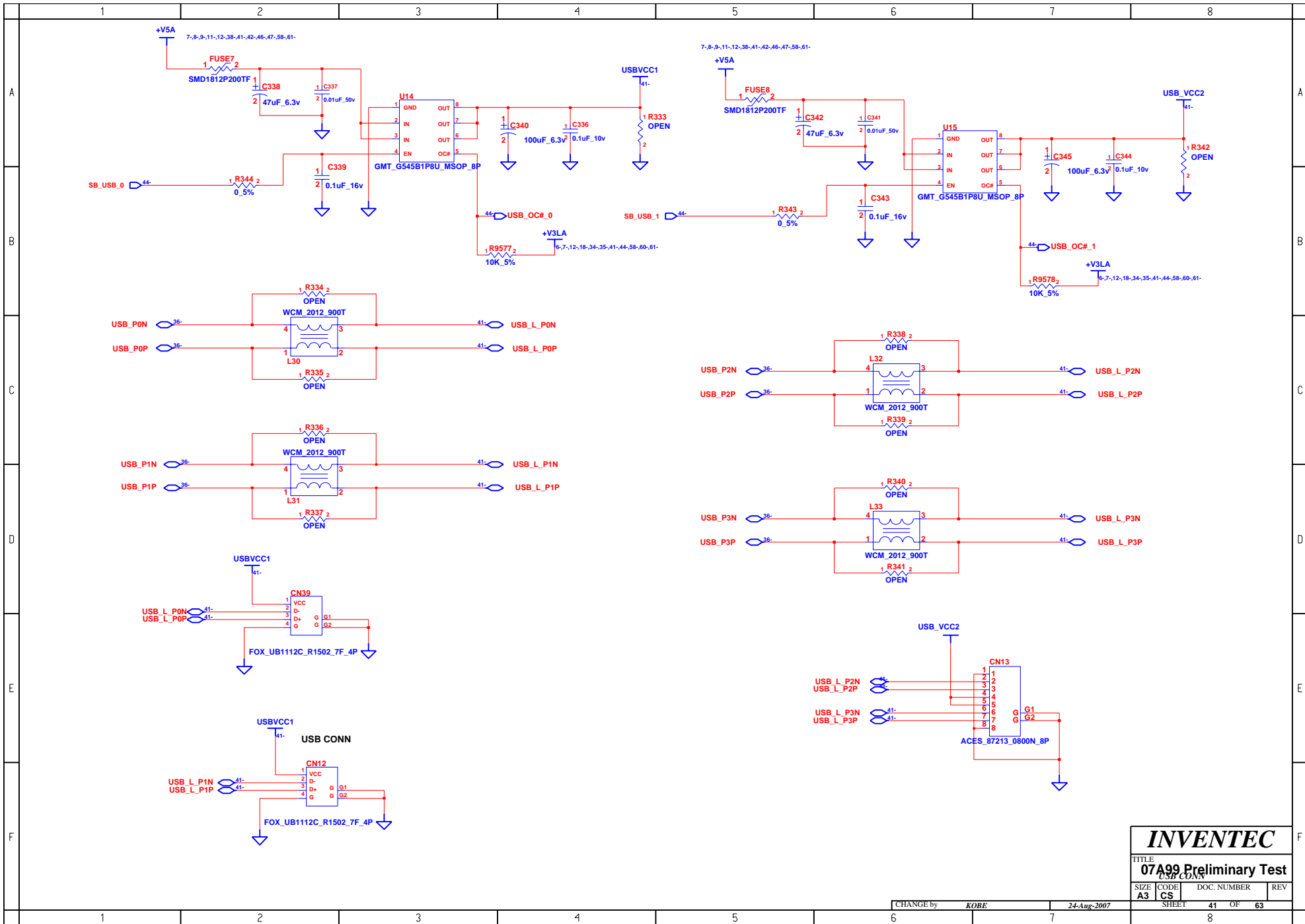
SHEET

CHANGE by **KOBE** 24-Aug-2007

	1	2	3	4	5	6	7	8	
--	---	---	---	---	---	---	---	---	--



INVENTEC			
TITLE			
07A99 Preliminary Test			
SIZE	CODE	DOC. NUMBER	REV
A3	CS		X01

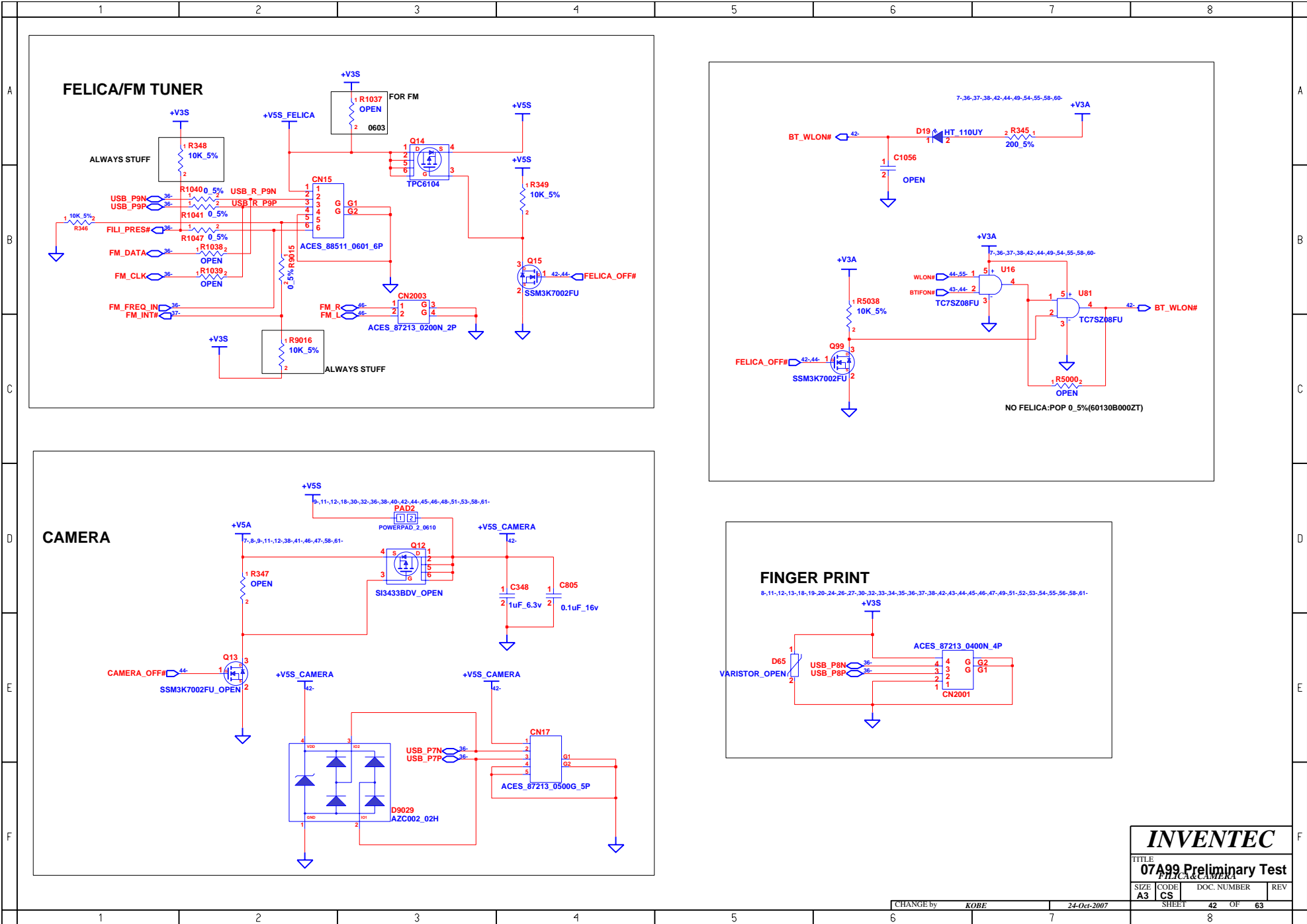


INVENTEC
 TITLE
07A99 Preliminary Test
 USB CONN

SIZE A3	CODE CS	DOC. NUMBER	REV
-------------------	-------------------	-------------	-----

CHANGE by **KOBE** 24-Aug-2007

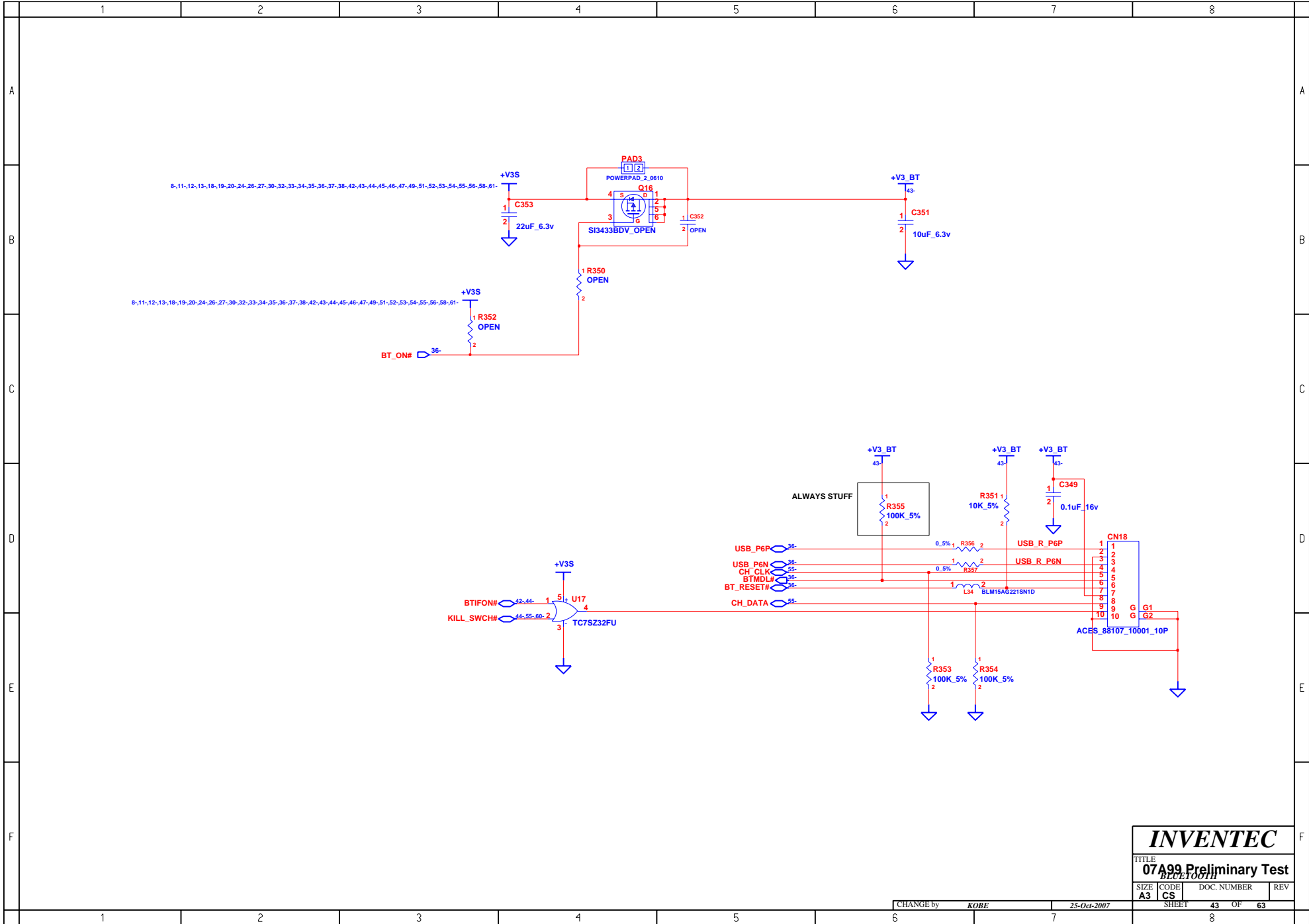
SHEET 41 OF 63



INVENTEC
 TITLE
 07A99 Preliminary Test
 P77CA&CAMERA

SIZE A3	CODE CS	DOC. NUMBER	REV
SHEET		42 OF	63

CHANGE by *KOBE* 24-Oct-2007

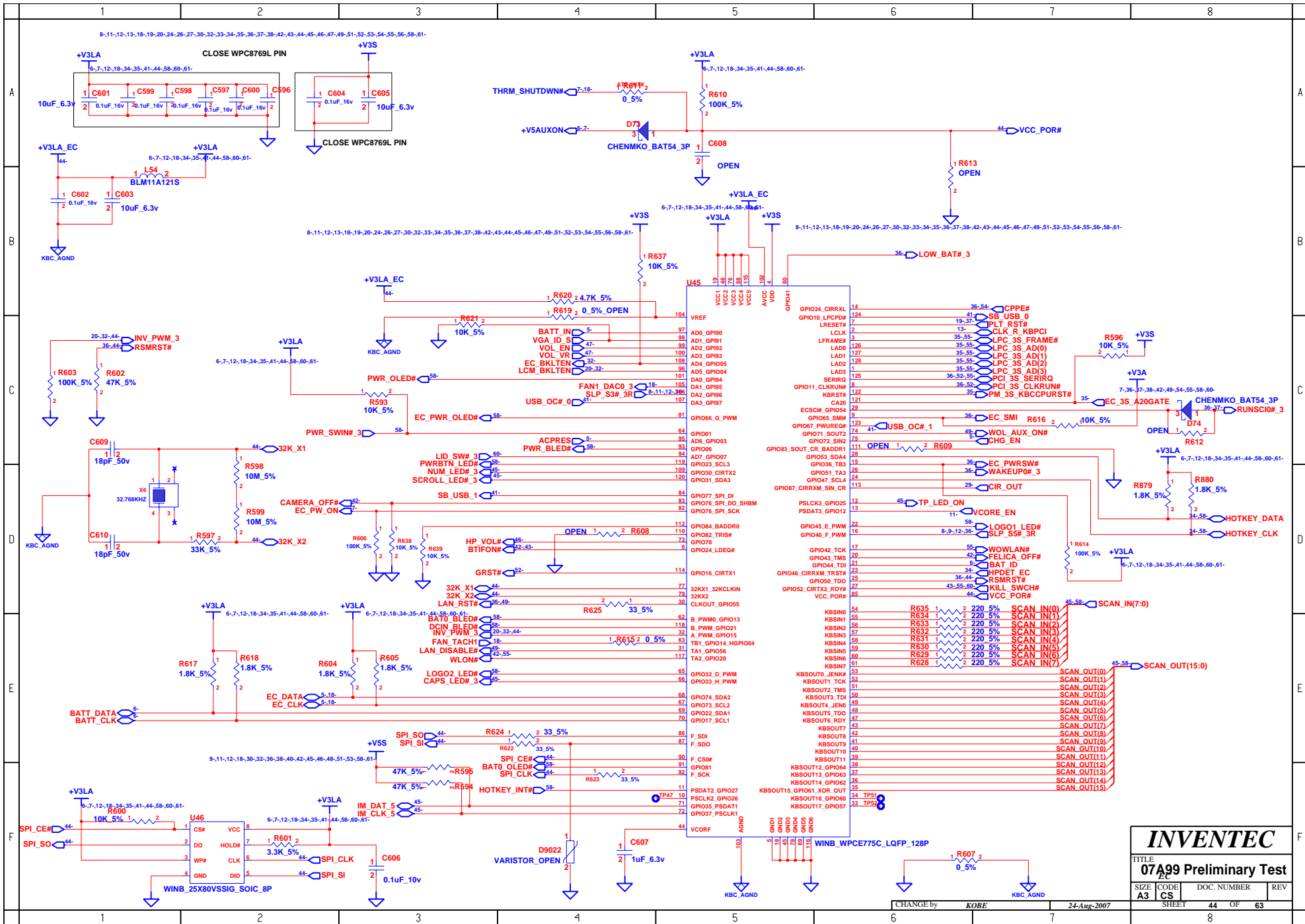


INVENTEC

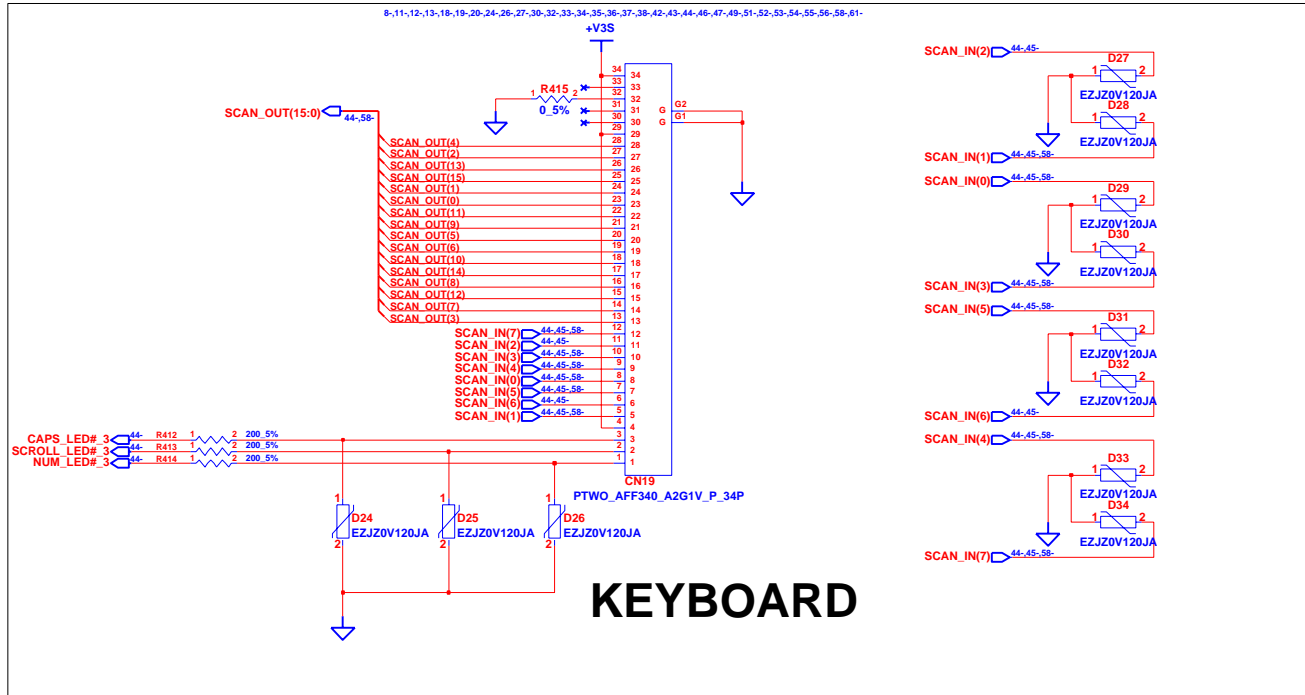
TITLE
07A99 Preliminary Test
BEUT001H

SIZE A3	CODE CS	DOC. NUMBER	REV
-------------------	-------------------	-------------	-----

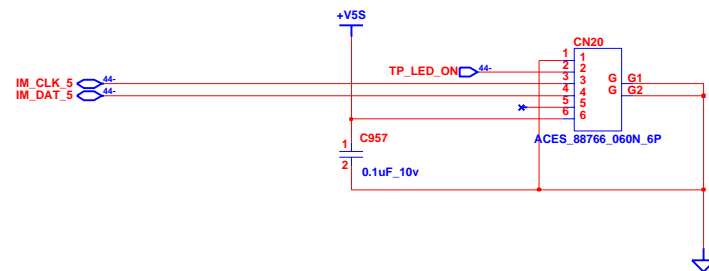
CHANGE by *KOBE* 25-Oct-2007



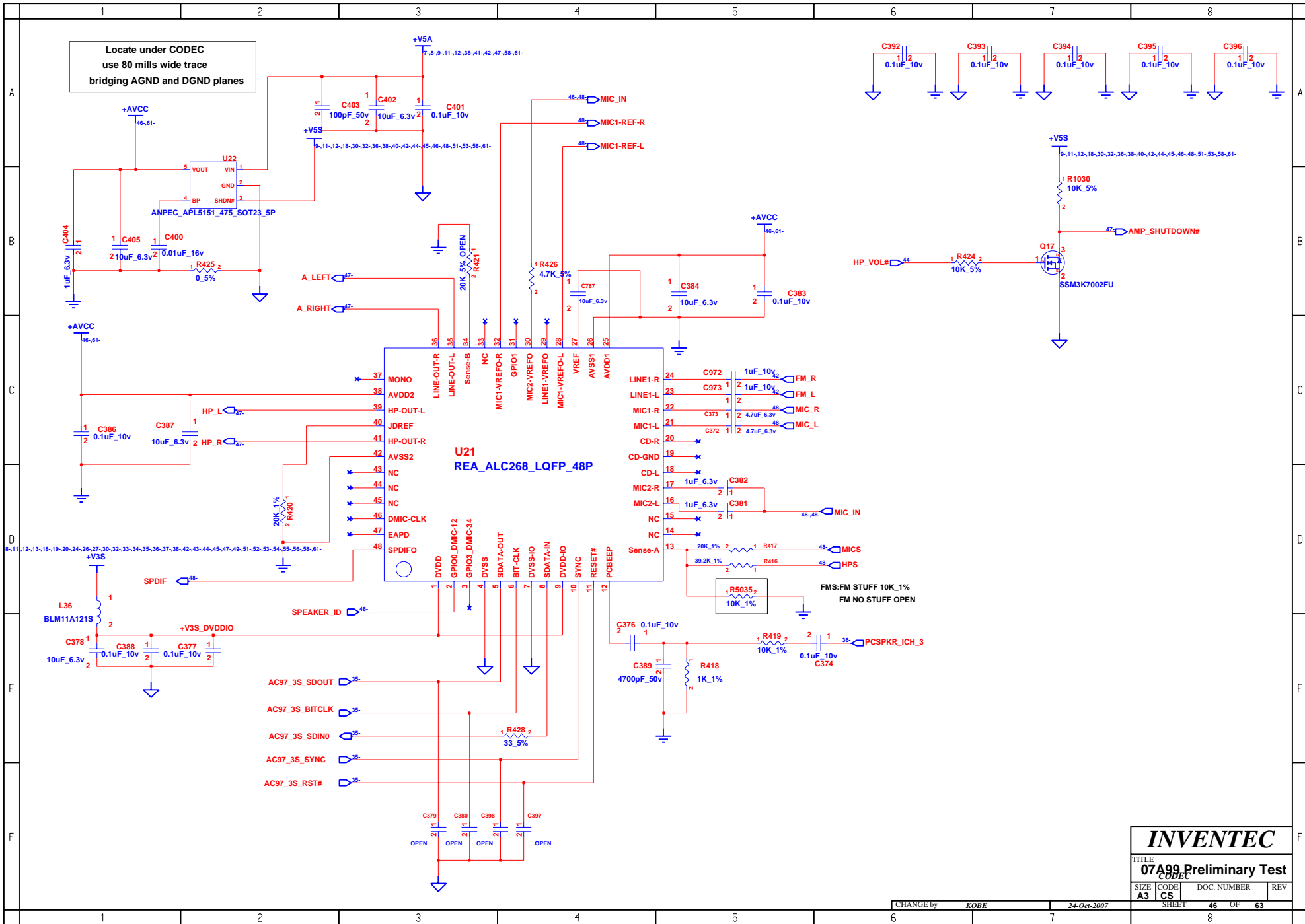
INVENTEC			
TITLE			
07A99 Preliminary Test			
SIZE	CODE	DOC NUMBER	REV
A3	CS		
CHANGE by		24-Aug-2007	
ROBE			
SHEET		4	OF 63



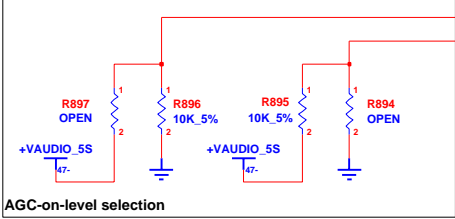
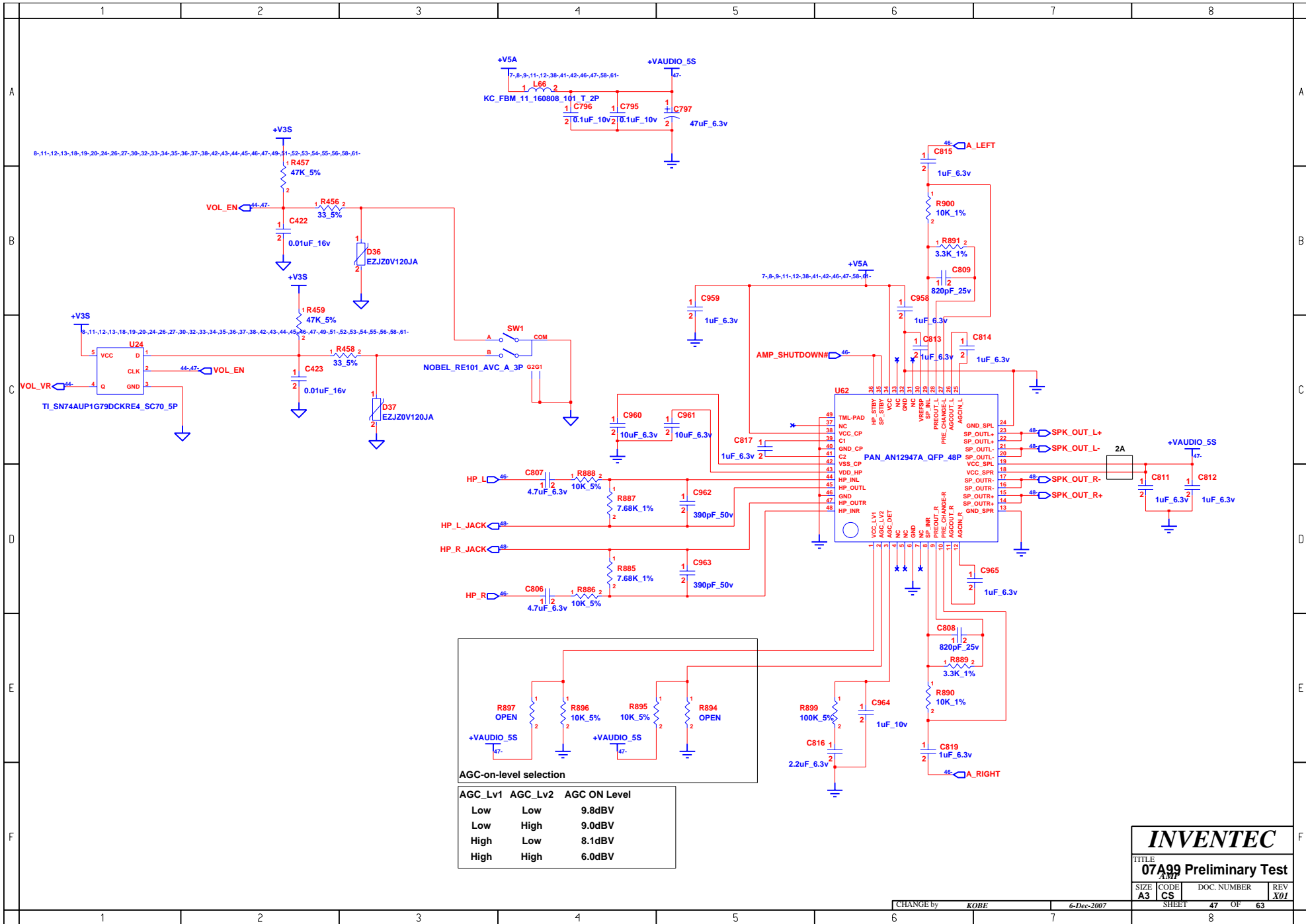
KEYBOARD



INVENTEC			
TITLE			
07A99 Preliminary Test			
<small>INT. KB POINT DEVICE</small>			
SIZE	CODE	DOC. NUMBER	REV
A3	CS		
CHANGE by		3-Sep-2007	
		SHEET 45 OF 63	
		8	



INVENTEC
 TITLE
07A99 Preliminary Test
 CODE
 SIZE A3
 CS



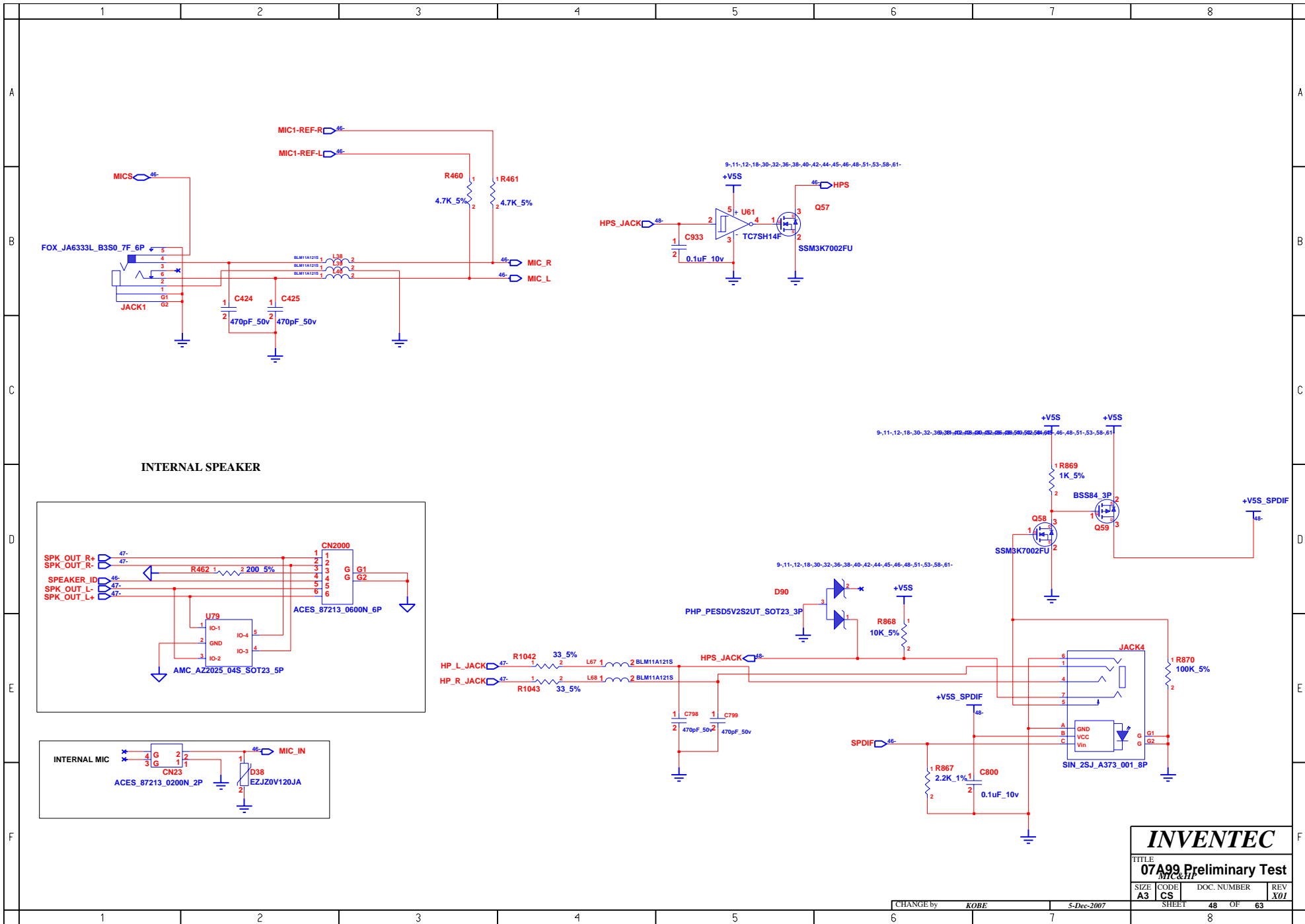
AGC-on-level selection

AGC_Lv1	AGC_Lv2	AGC ON Level
Low	Low	9.8dBV
Low	High	9.0dBV
High	Low	8.1dBV
High	High	6.0dBV

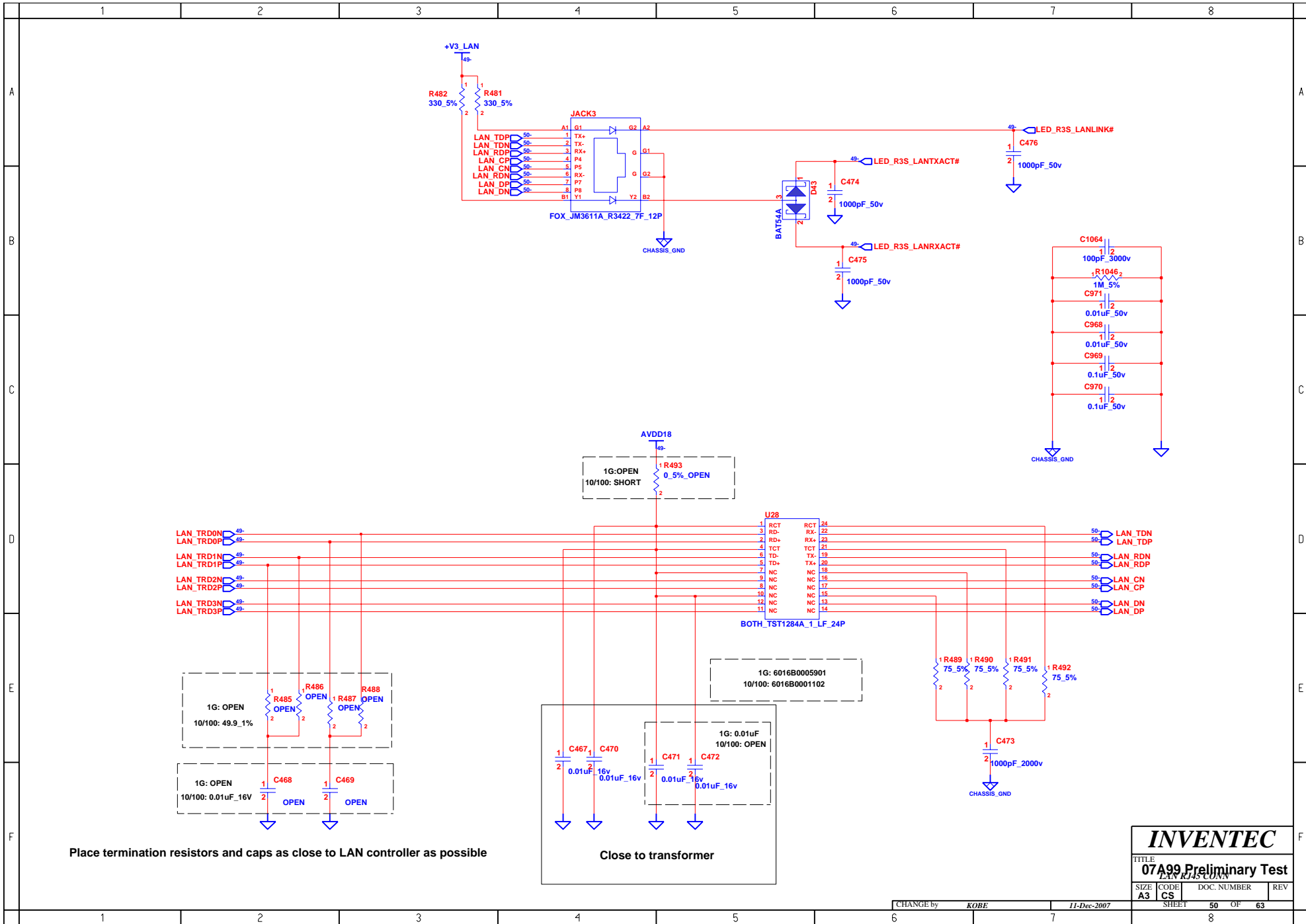
INVENTEC

TITLE
07A99 Preliminary Test

SIZE A3	CODE CS	DOC. NUMBER	REV X01
CHANGE by		SHEET	OF



INVENTEC			
TITLE			
07A99 Preliminary Test			
SIZE	CODE	DOC. NUMBER	REV
A3	CS		X01
CHANGE by		5-Dec-2007	
KOB			
SHEET		8 OF 63	



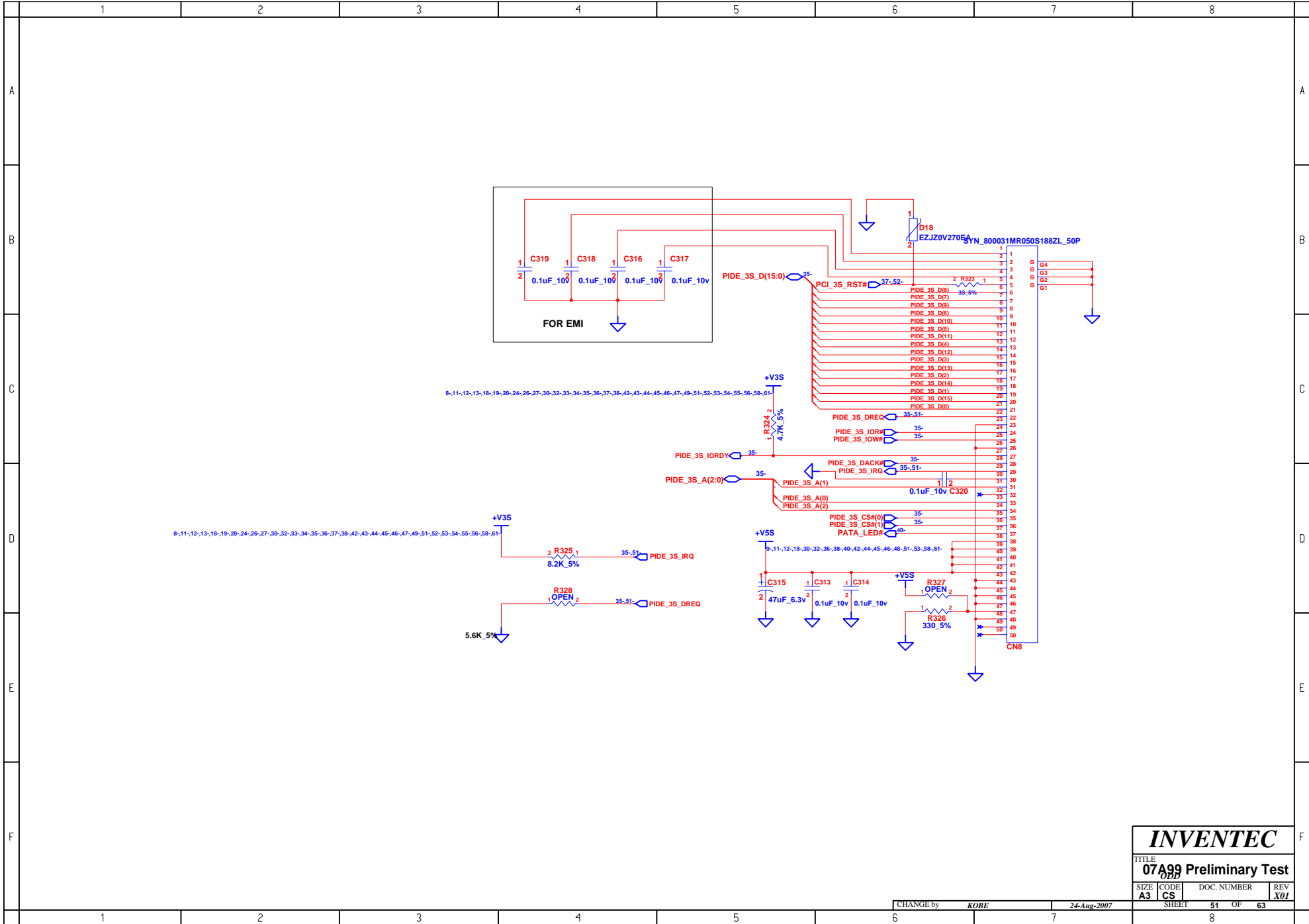
INVENTEC
 TITLE
07A99 Preliminary Test
 LAN RJ45 CONN

SIZE A3	CODE CS	DOC. NUMBER	REV
SHEET		50 OF	63

CHANGE by **KOBE** 11-Dec-2007

Place termination resistors and caps as close to LAN controller as possible

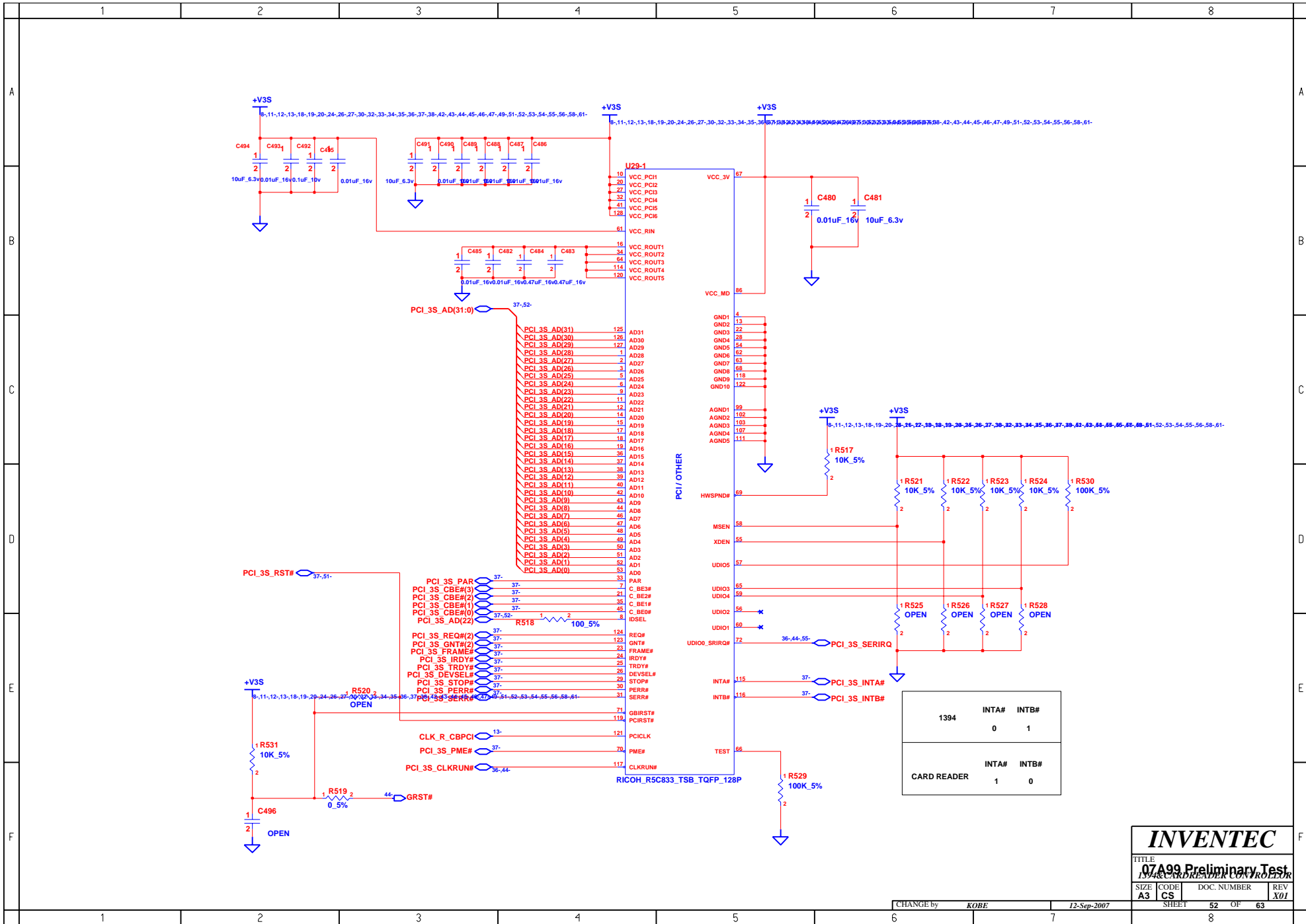
Close to transformer

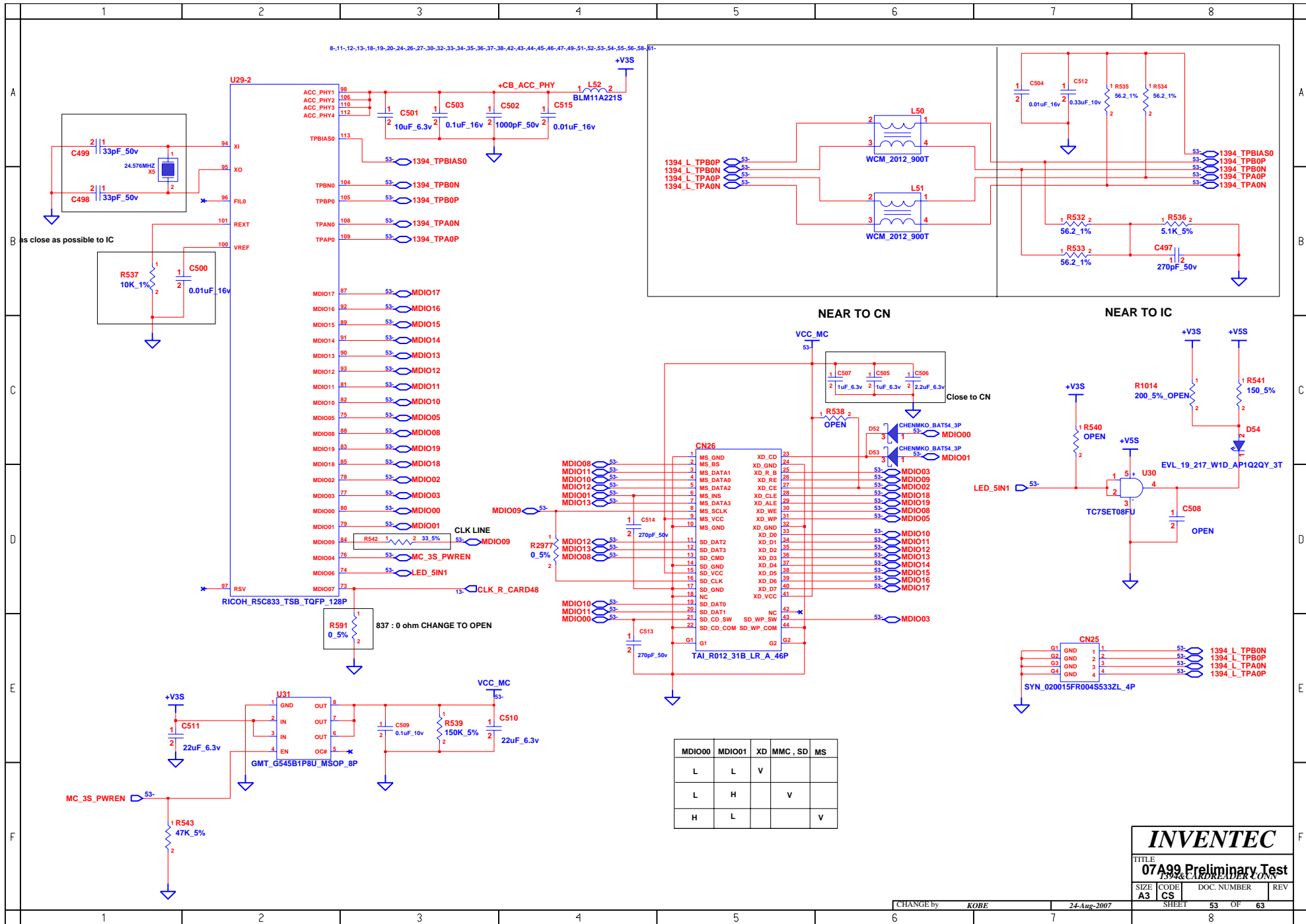


INVENTEC

TITLE
07A99 Preliminary Test

SIZE A3	CODE CS	DOC. NUMBER 51 OF 63	REV X01
------------	------------	-------------------------	------------





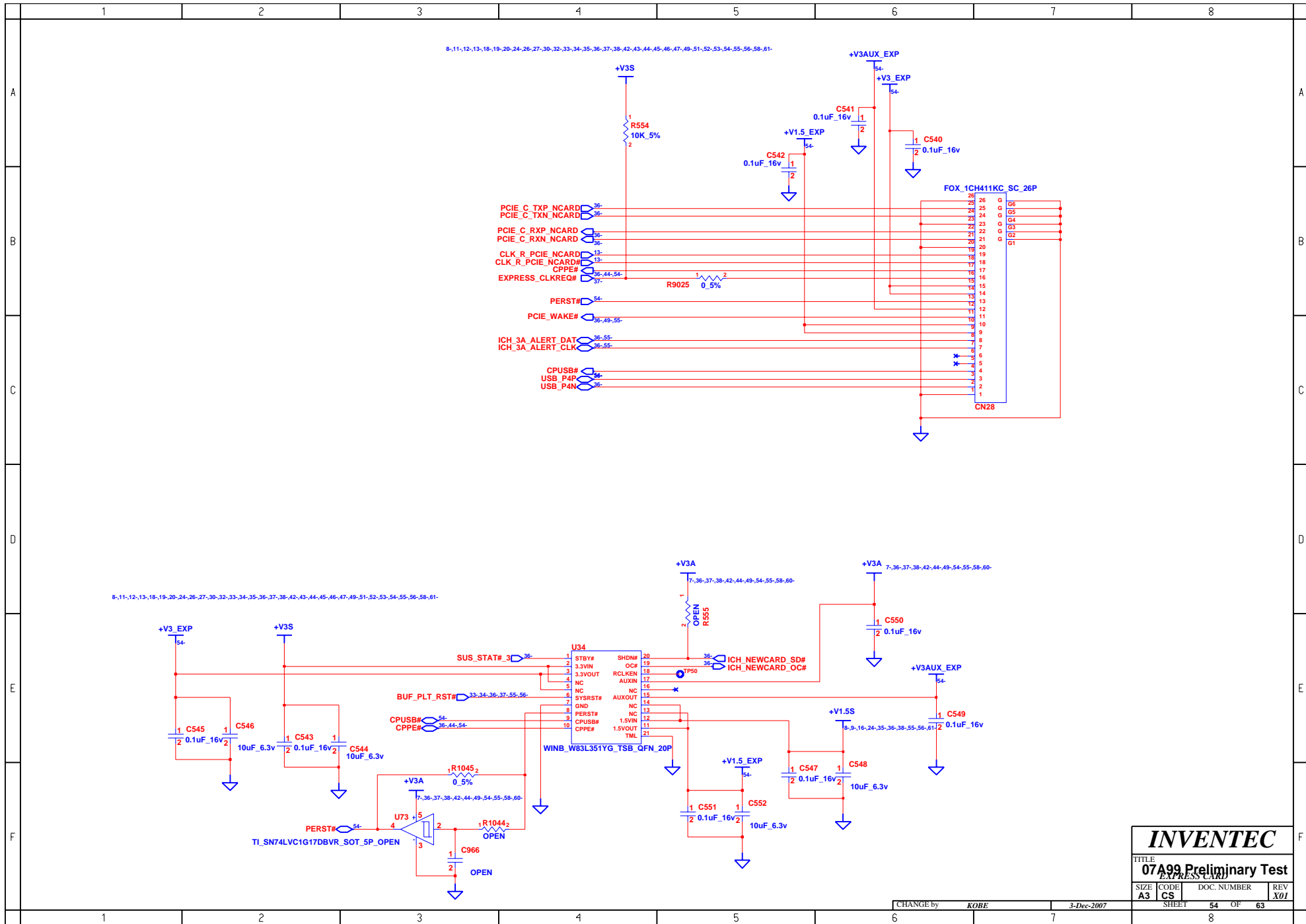
MDIO00	MDIO01	XD	MMC, SD	MS
L	L	V		
L	H	V		
H	L		V	

INVENTEC

TITLE
07A99 Preliminary Test
1394 L CARD READER CONN

SIZE CODE DOC NUMBER REV
A3 CS SHEET 53 OF 63

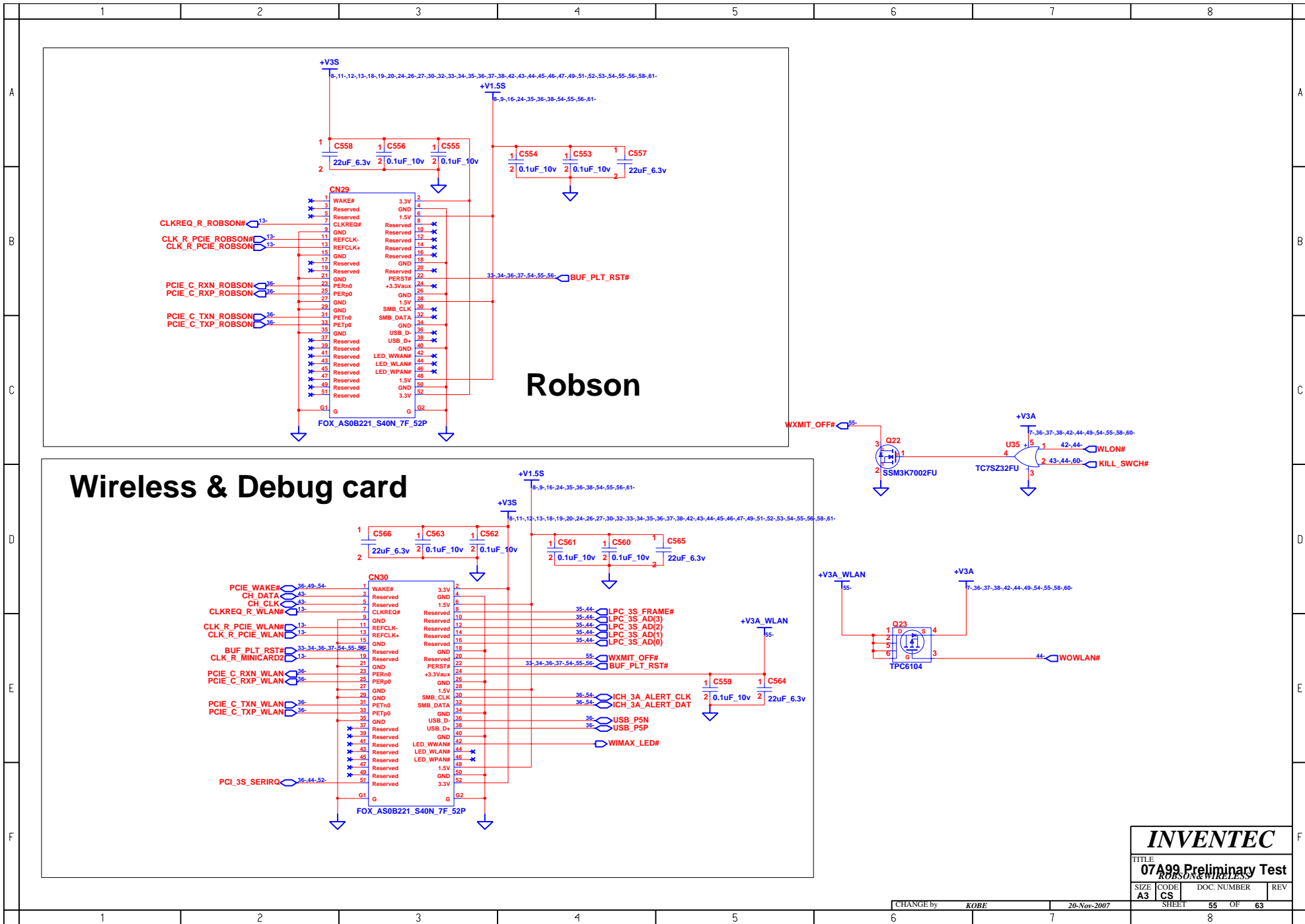
CHANGE by ROBE 24-Aug-2007



INVENTEC			
TITLE			
07A99 Preliminary Test			
<i>EXPRESS CARD</i>			
SIZE	CODE	DOC. NUMBER	REV
A3	CS	54 OF 63	X01

CHANGE by **ROBE** 3-Dec-2007

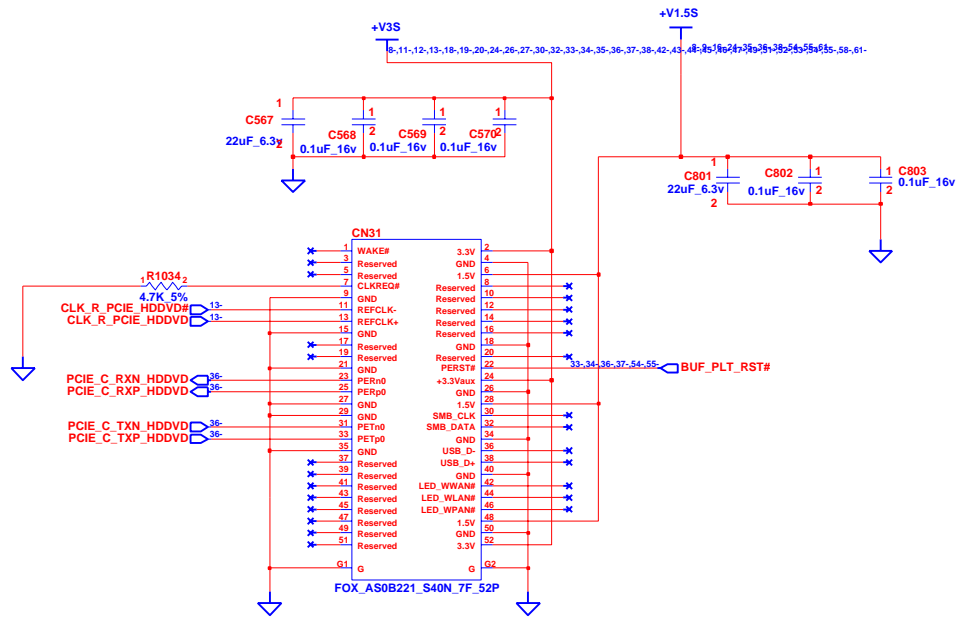
SHEET 54 OF 63



INVENTEC
 TITLE
 07A99 Preliminary Test
 ROBSON WIRELESS

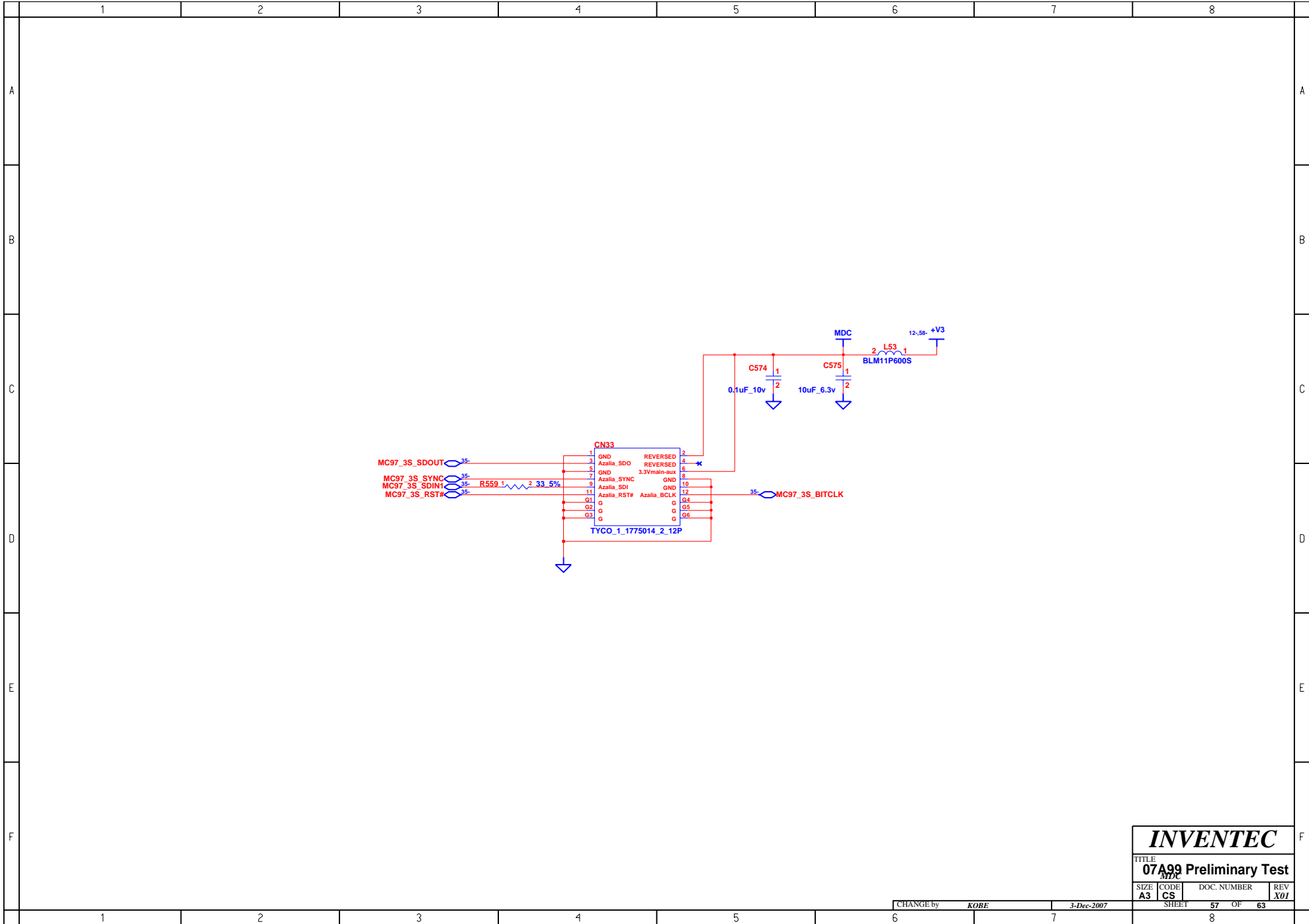
SIZE	CODE	DOC. NUMBER	REV
A3	CS		

HD-DVD



INVENTEC
 TITLE
 07A99 Preliminary Test
 HD-DVD

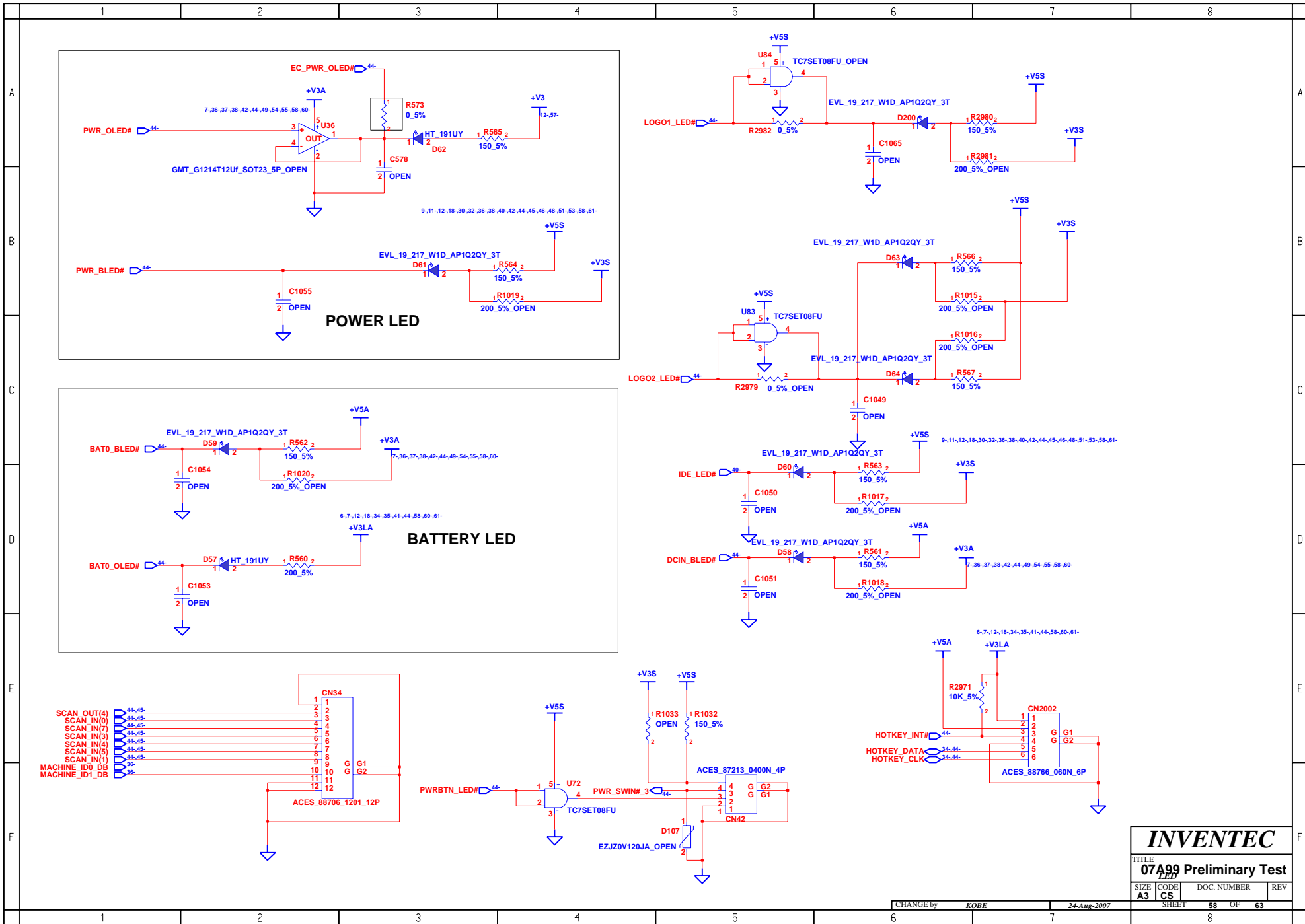
CHANGE by	KOBE	12-Sep-2007	SHEET	56	OF	63
SIZE	A3	CODE	CS	REV	X01	

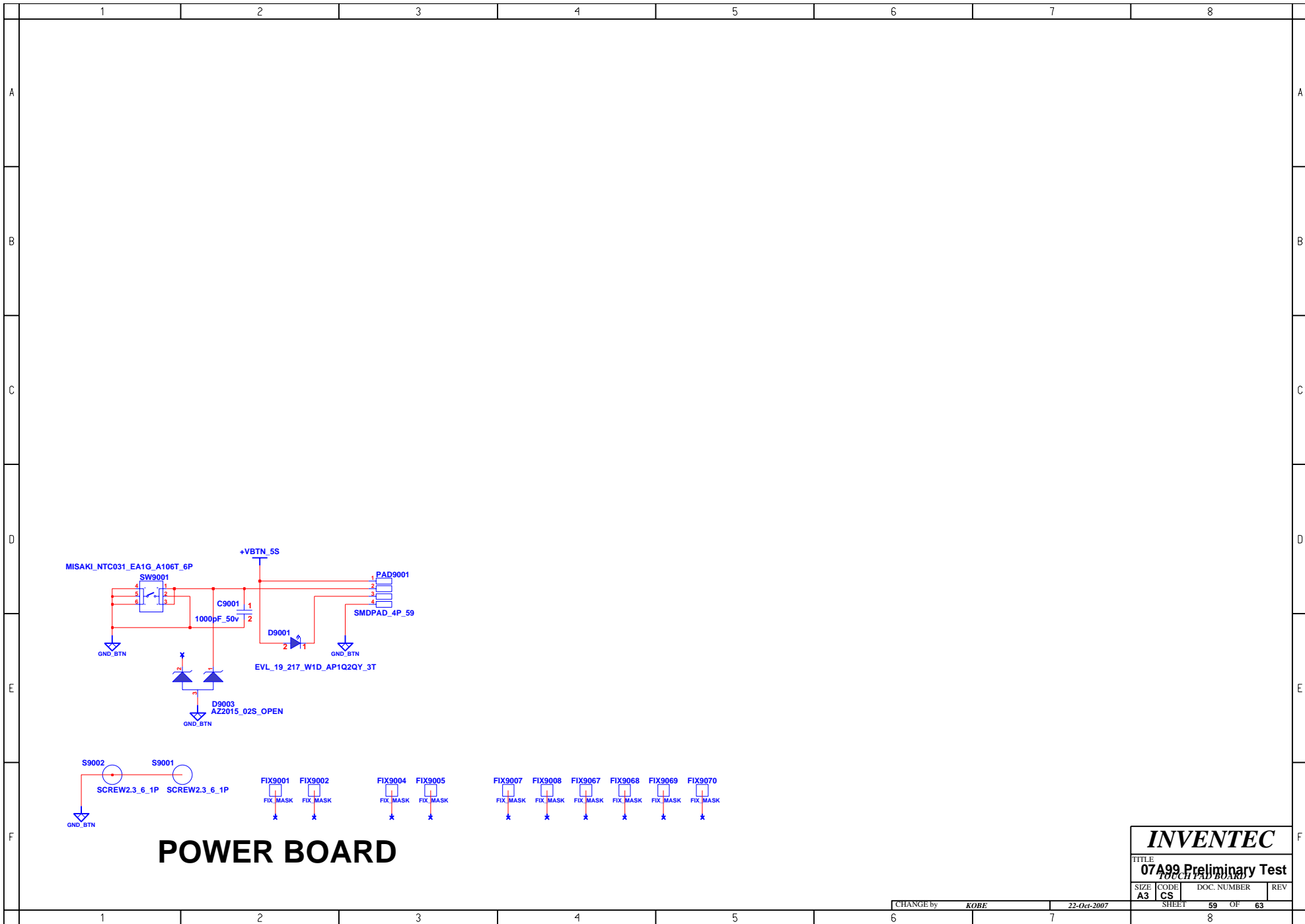


INVENTEC			
TITLE			
07A99 Preliminary Test			
SIZE	CODE	DOC. NUMBER	REV
A3	CS		X01

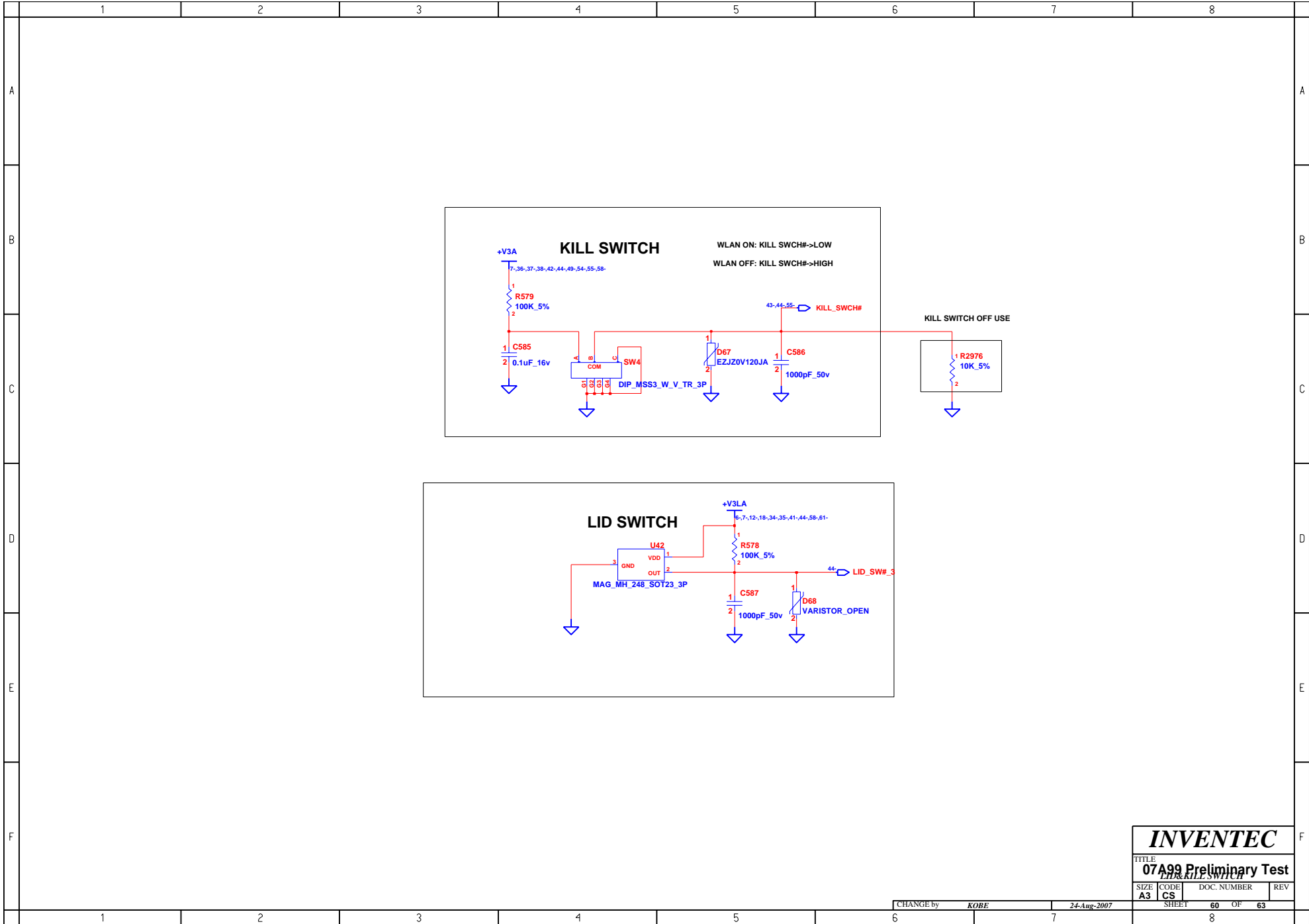
CHANGE by **KOBE** 3-Dec-2007

SHEET 57 OF 63





INVENTEC			
TITLE			
07A99 Preliminary Test			
SIZE	CODE	DOC. NUMBER	REV
A3	CS		



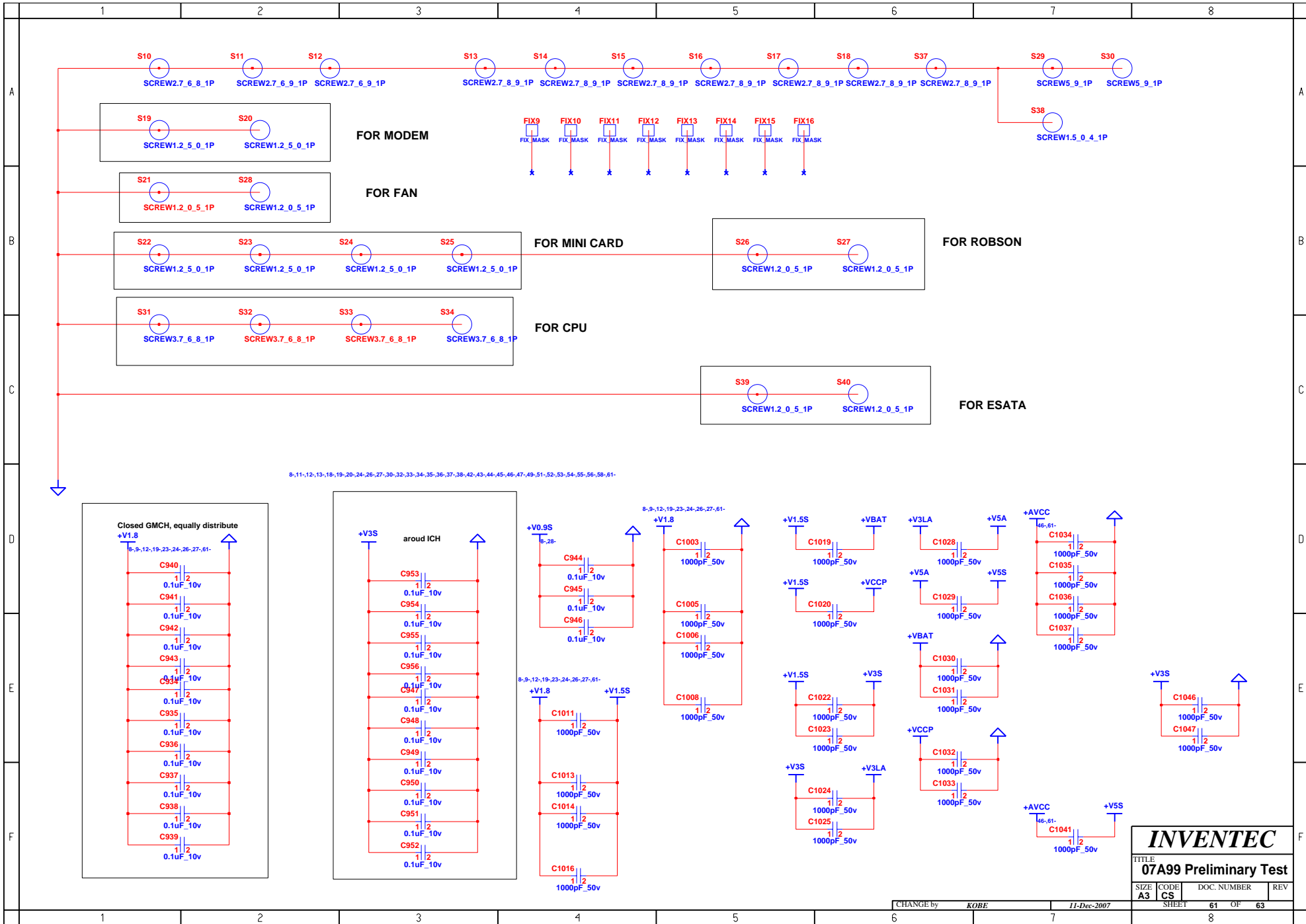
INVENTEC

TITLE
07A99 Preliminary Test

SIZE CODE DOC. NUMBER REV
A3 CS 60 OF 63

CHANGE by **KOBE** 24-Aug-2007

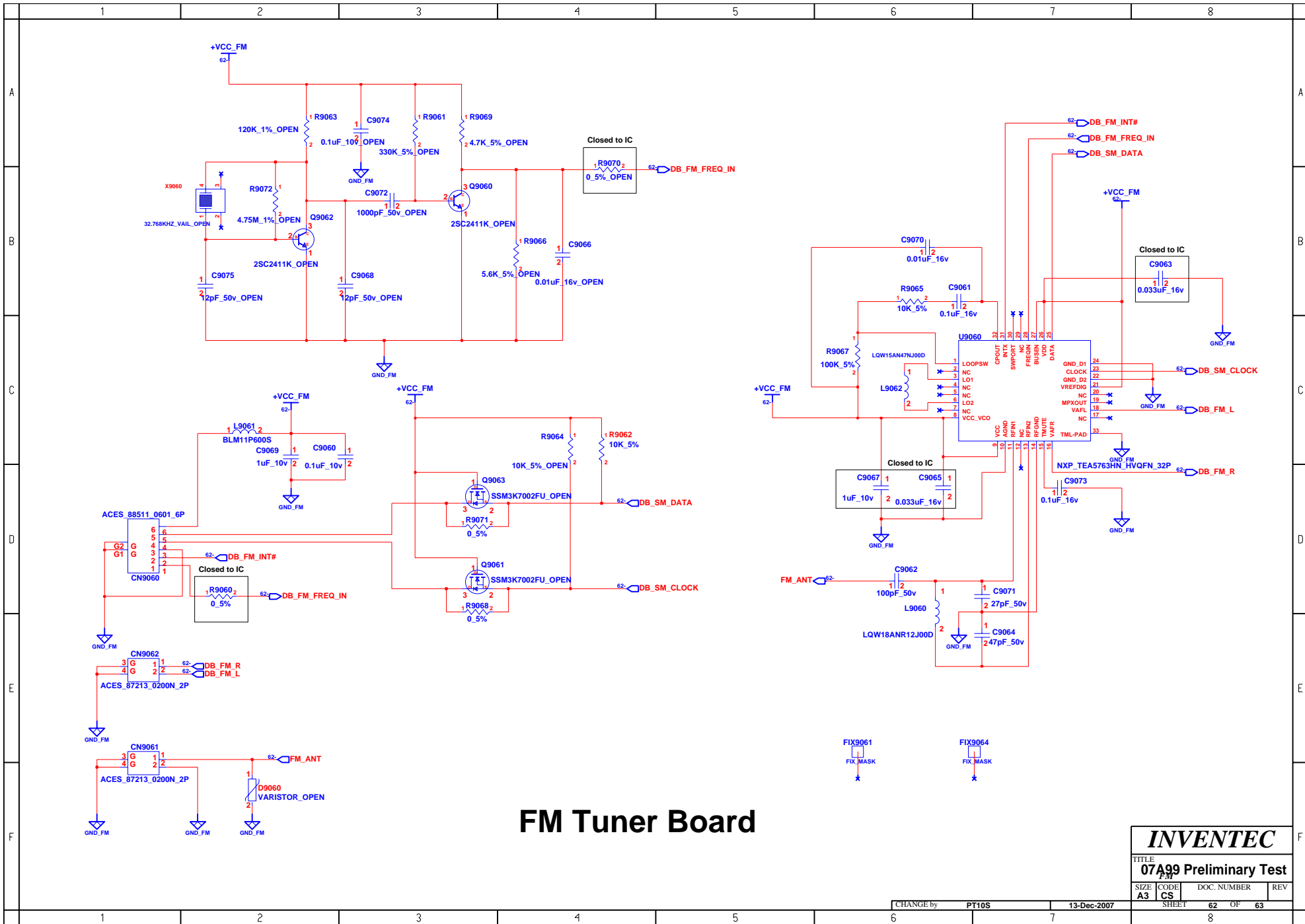
SHEET 8



INVENTEC			
TITLE			
07A99 Preliminary Test			
SIZE	CODE	DOC. NUMBER	REV
A3	CS	61 OF 63	

CHANGE by *ROBE* 11-Dec-2007

SHEET 61 OF 63

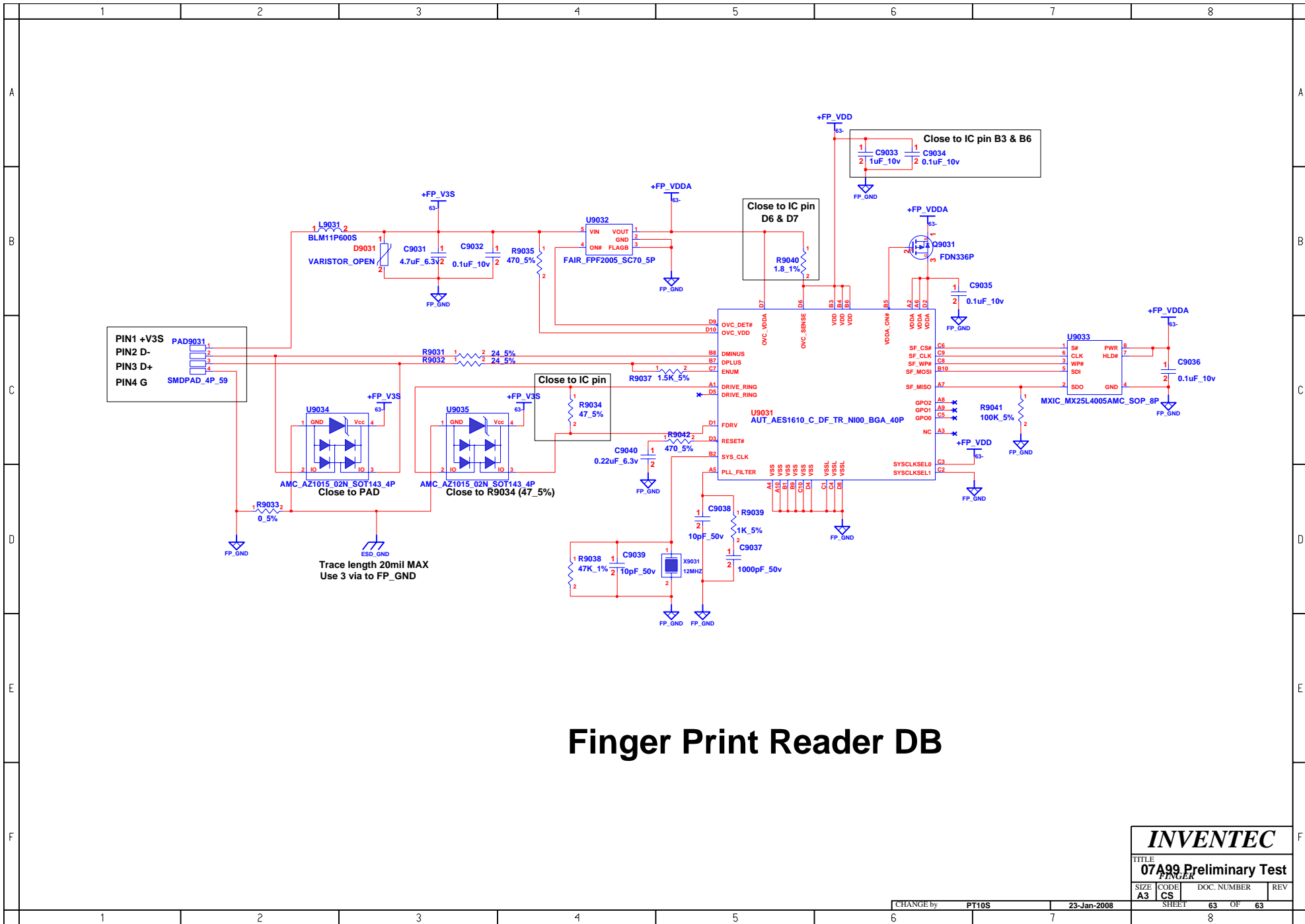


FM Tuner Board

INVENTEC			
TITLE			
07A99 Preliminary Test			
SIZE	CODE	DOC. NUMBER	REV
A3	CS	62 OF 63	

CHANGE by PT10S 13-Dec-2007

SHEET 62 OF 63



Finger Print Reader DB

INVENTEC			
TITLE			
07A99 Preliminary Test			
SIZE	CODE	DOC. NUMBER	REV
A3	CS		

CHANGE by PT10S 23-Jan-2008

SHEET 63 OF 63